

PART/SPRUE GRIPPERS, FINGERS AND LOCATORS

Greifzangen, Nadelgreifer, Greiffinger, Zentrierhilfen



スプルー／製品取出用チャック

GRZ... Sprue/Parts Pliers

GRZ...Greifzange (Standard einfachwirkend)
GRZ...スプルー／製品取出用チャック



GRZ 10-10 GRZ 10-10A GRZ 10-10A1 GRZ 10-10ST GRZ 10-10STC GRZ 10-12 GRZ 10-12A GRZ 10-12C

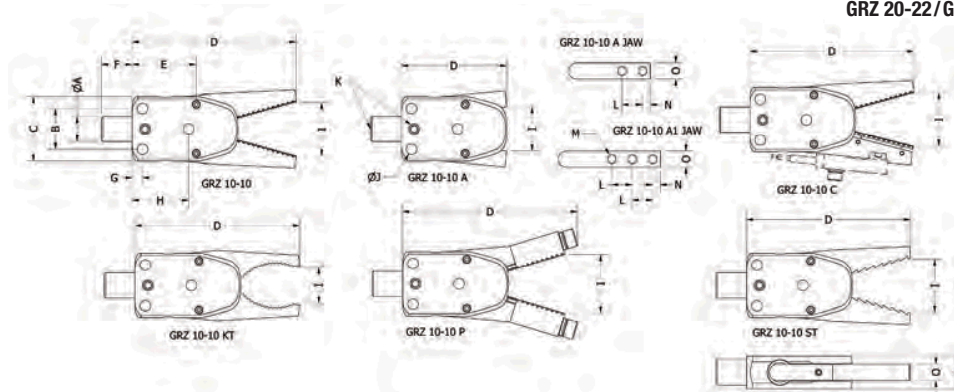
- Single action spring return function
- Fully compatible with SAS's modular EOAT/gripper system
- Available with standard jaws, radiused jaws (KT-Type), standard mounting holes (A-Type), and sensor capable jaws (C-Type)
- In-jaw part sensor does not require adjustment (C-Type only)
- Only available GRZ 10-10 P and GRZ 10-12 P



GRZ 20-22 / GRZ 20-22 C



GRZ 10-6/GRZ 10-8
Micro Grippers



Buy with confidence.
Find a lower price?
We'll match that price on the spot. It's that simple.

	A	B	C	D	E	F	G	H	I	J	K	L	M	N	O	P	Force (N)	Sensor (Optional)*	Weight (g)	Price
GRZ 10-6	10	~	15	30	12	15	~	11	6	M4	M5	~	~	~	3	8	10	No	8	\$105.00
GRZ 10-8 C	10	~	20	40	16	15	~	14	8	M6	M5	~	~	~	4	10	19	Built in sensor - PNP	25	\$198.00
GRZ 10-10	10	16	25	64	25	12	4	22	21	4.2	M5	~	~	~	6	13	20	No	55	\$129.00
GRZ 10-10 A	10	16	25	41	25	12	4	22	17	4.2	M5	8	M4	3	6	13	~	No	38	\$52.00
GRZ 10-10 A1	10	16	25	48	25	12	4	22	19	4.2	M5	8	M4	3	6	13	~	No	~	\$135.50
GRZ 10-10 C	10	16	25	64	25	12	4	22	21	4.2	M5	~	~	~	6	13	20	SP1.5/SN1.5	52	\$199.25
GRZ 10-10 KT	10	16	25	64	25	12	4	22	14	4.2	M5	~	~	~	6	13	20	No	50	\$140.00
GRZ 10-10 P	10	16	25	68	25	12	4	22	22	4.2	M6	~	~	~	6	13	20	No	~	\$190.00
GRZ 10-10 ST	10	16	25	64	25	12	4	22	21	4.2	M7	~	~	~	6	13	20	No	16	\$138.00
GRZ 10-10 STC	10	16	25	64	25	12	4	22	21	4.2	M8	~	~	~	6	13	20	SP1.5/SN1.5	52	\$205.00

	A	B	C	D	E	F	G	H	I	J	K	L	M	N	O	P	Force (N)	Sensor (Optional)*	Weight (g)	Price
GRZ 10-12	10	16	25	67	28	12	4	25	21	4.2	M5	~	~	~	6	16	34	No	66	\$149.00
GRZ 10-12 A	10	16	25	44	28	12	4	25	17	4.2	M5	8	M4	3	6	16	~	No	47	\$145.00
GRZ 10-12 C	10	16	25	67	28	12	4	25	21	4.2	M5	~	~	~	6	16	34	SP1.5/SN1.5	63	\$145.00
GRZ 10-12 P	10	16	25	71	28	12	4	25	22	4.2	M5	~	~	~	6	16	34	No	~	\$198.00
GRZ 10-12 ST	10	16	25	67	28	12	4	25	21	4.2	M5	~	~	~	6	16	34	No	64	\$145.35
GRZ 10-12 STC	10	16	25	67	28	12	4	25	21	4.2	M5	~	~	~	6	16	34	SP1.5/SN1.5	61	\$215.00

	A	B	C	D	E	F	G	H	I	J	K	L	M	N	O	P	Force (N)	Sensor (Optional)*	Weight (g)	Price
GRZ 20-22	20	28	45	110	45	26	5	40	37	5	G1/8	~	~	~	16	25	110	No	365	\$250.00
GRZ 20-22 C	20	28	45	110	45	26	5	40	37	5	G1/8	~	~	~	16	25	110	SP1.5/SN1.5	380	\$310.00
GRZ 20-22 KTC	20	28	45	110	45	26	5	40	37	5	G1/8	~	~	~	16	25	110	SP1.5/SN1.5	168	\$367.45

GRZ "C" style gripper includes sensor. Customer must choose sensor type: NPN or PNP

*SAS Automation will match any competitor's price for stock components with proper verification.



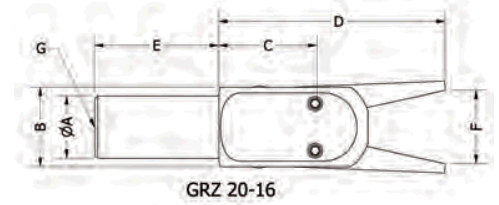
GRZ... Sprue/Parts Pliers (Continued)

GRZ...Greifzange (Standard einfachwirkend)
GRZ...スプルー/製品取出用チャック

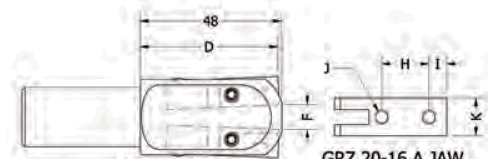


GRZ 20-16 GRZ 20-16C GRZ 20-16CT GRZ 20-16KTC GRZ 20-16L GRZ 20-16LC GRZ 20-16LCT

- Bullet nose design for jaw spring protection
- Single action spring return function
- Fully compatible with SAS's modular EOAT/gripper system
- Available with standard jaws, radiused jaws (KT-Type), standard mounting holes (A-Type), aggressive saw teeth (S-Type), and sensor capable jaws (C-Type)
- In-jaw part sensor does not require adjustment (C-Type only)
- T type has knurled teeth in the jaws
- RT-Type has knurled teeth in the jaws without holes, allowing for a larger gripping surface
- Now with interchangeable Jaw Kits

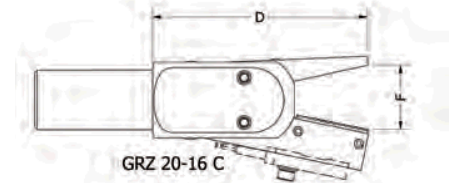
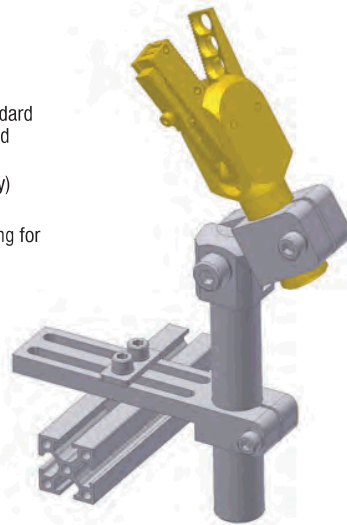


GRZ 20-16

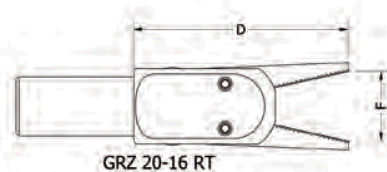


GRZ 20-16 A

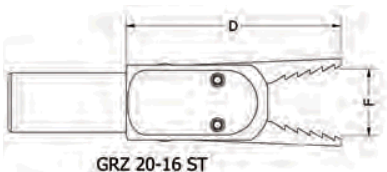
GRZ 20-16 A JAW



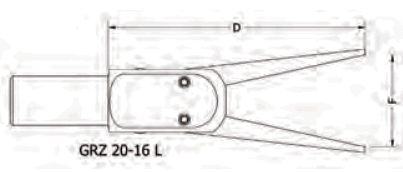
GRZ 20-16 C



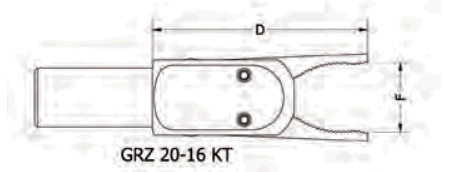
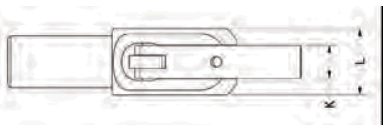
GRZ 20-16 RT



GRZ 20-16 ST



GRZ 20-16 L



GRZ 20-16 KT

	A	B	C	D	E	F	G	H					Force (N)	Sensor (Optional)*	Weight (g)	Price
GRZ 20-16	20	25	32	73	24	23	G 1/8"	~	~	~	13	25	65	No	141	\$176.50
GRZ 20-16 T	20	25	32	73	25	23	G 1/8"	~	~	~	13	25	65	No	143	\$191.50
GRZ 20-16 A	20	25	32	47	27	8	G 1/8"	16	16	M5	13	25	~	~	128	\$173.25
GRZ 20-16 C	20	25	32	73	23	21	G 1/8"	~	~	~	13	25	65	SP1.5/SN1.5	63	\$254.00
GRZ 20-16 CT	20	25	32	73	23	21	G 1/8"	~	~	~	13	25	65	SP1.5/SN1.5	166	\$269.00
GRZ 20-16 KT	20	25	32	73	23	23	G 1/8"	~	~	~	13	25	65	No	149	\$205.00
GRZ 20-16 KTC	20	25	32	73	23	21	G 1/8"	~	~	~	13	25	65	SP1.5/SN1.5	165	\$259.00
GRZ 20-16 L	20	25	32	105	39	37	G 1/8"	~	~	~	13	25	42	No	162	\$219.00
GRZ 20-16 LT	20	25	32	105	39	37	G 1/8"	~	~	~	13	25	42	No	219	\$234.00
GRZ 20-16 LC	20	25	32	105	37	32	G 1/8"	~	~	~	13	25	42	SP1.5/SN1.5	128	\$349.95
GRZ 20-16 LCT	20	25	32	105	37	32	G 1/8"	~	~	~	13	25	42	SP1.5/SN1.5	157	\$364.95
GRZ 20-16 LST	20	25	32	105	39	36	G 1/8"	~	~	~	13	25	42	No	154	\$247.00
GRZ 20-16 R	20	25	32	73	25	23	G 1/8"	~	~	~	13	25	50	No	169	\$155.00
GRZ 20-16 RT	20	25	32	73	25	23	G 1/8"	~	~	~	13	25	50	No	362	\$170.00
GRZ 20-16 RTC	20	25	32	73	25	21	G 1/8"	~	~	~	13	25	50	SP1.5/SN1.5	177	\$249.00
GRZ 20-16 ST	20	25	32	73	23	23	G 1/8"	~	~	~	13	25	50	No	46	\$182.90
GRZ 20-16 STC	20	25	32	73	23	21	G 1/8"	~	~	~	13	25	50	SP1.5/SN1.5	170	\$254.00

GRZ "C" style gripper includes sensor. Customer must choose sensor type: NPN or PNP



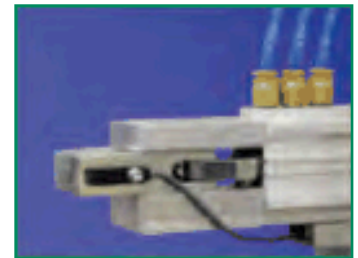
GRZ... Sprue/Parts Pliers (Continued)

GRZ...Greifzange (Standard einfachwirkend)

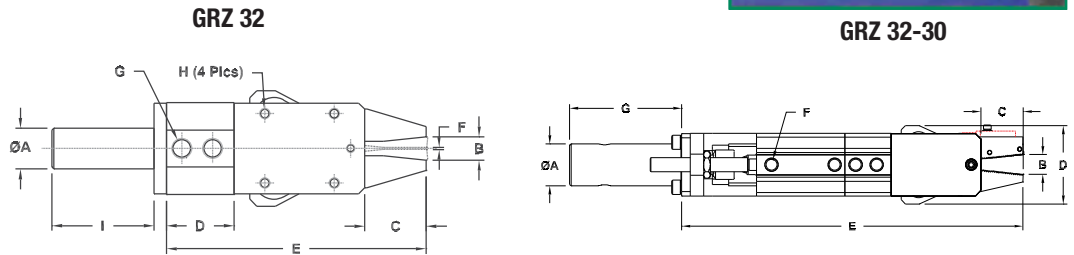
GRZ...スプルー/製品取出用チャック



- Double action function
- Fully compatible with SAS's modular EOAT/gripper system
- Available with standard jaws and sensor capable jaws (C-Type)
- In-jaw part sensor does not require adjustment (C-type)
- E-type offers 30mm slide cylinder for hard to reach sprues



GRZ 32-30



	A	B	C	D	E	F	G	H	I	Force (N)	Sensor (Optional)*	Weight (g)	Price
GRZ 32	20	12	30	33	127	1	G 1/8"	M5	50	340	~	681	\$311.50
GRZ 32 C	20	12	30	33	127	1	G 1/8"	M5	50	340	SP 1.5 / SN 1.5	699	\$349.00

	ØA	B	C	D	E	F	G	Force (N)	Sensor (Optional)*	Weight (g)	Price
GRZ 32-30 E	20	9	20	36	158	G 1/8"	52	340	~	1,626	\$750.00
GRZ 32-30 EC	20	9	20	36	158	G 1/8"	52	340	SP 1.5 / SN 1.5	~	\$871.24

* See "Sensors, Connectors, and Accessories" section for sensor specifications and offerings.

GRZ... Jaw Kits

2-Zangenbacken



- Comprised of one jaw, one spring, and one jaw screw
- Can easily configure and interchange jaw types of the same size sprue plier, allowing easy adaptation to any gripping requirements
- MTL "Medium Thread Locker" required
- Customer must choose sensor type NPN or PNP
- GRZ 20-16 C includes with sensor
- GRZ 20-16 LC includes with sensor

Size	Description	Price
ASC-22	22ml High-Temperature Grease with PTFE	\$8.50
MTL-10	10ml Medium Threadlocker	\$26.00

Jaw Kit	Weight (g)	Price
GRZ 10-10 Jaw Kit	~	\$48.00
GRZ 10-10 A Jaw Kit	~	\$47.00
GRZ 10-10 A1 Jaw Kit	42	\$52.00
GRZ 10-10 C Jaw Kit	~	\$90.00
GRZ 10-10 KT Jaw Kit	~	\$59.21
GRZ 20-16 Jaw Kit	40	\$63.00
GRZ 20-16 A Jaw Kit	32	\$62.00
GRZ 20-16 C Jaw Kit	63	\$135.00
GRZ 20-16 KT Jaw Kit	43	\$70.00
GRZ 20-16 L Jaw Kit	52	\$85.00
GRZ 20-16 LC Jaw Kit	128	\$180.00
GRZ 20-16 LT Jaw Kit	51	\$92.00
GRZ 20-16 R Jaw Kit	48	\$58.00
GRZ 20-16 RT Jaw Kit	47	\$60.00
GRZ 20-16 T Jaw Kit	40	\$68.00