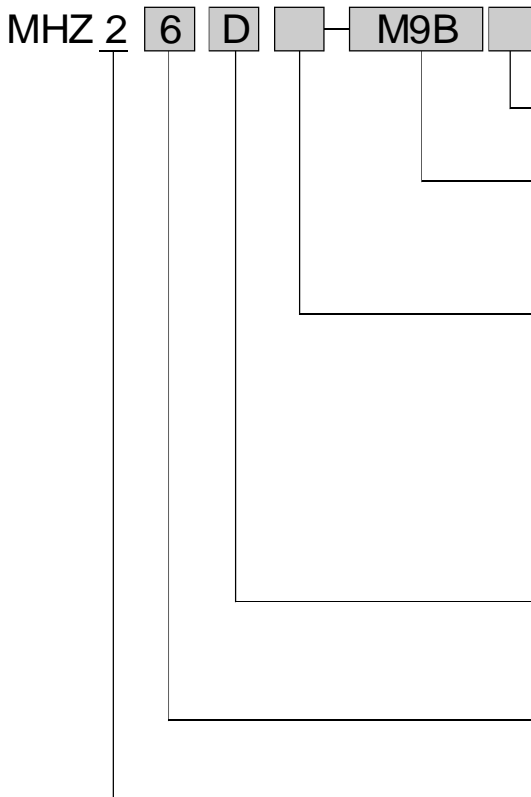


Parallel Style Air Gripper

Standard Type

Series MHZ2

◆ How to Order



Φ 6

Number of auto switches

Nil	2 pcs.	S	1 pc.
-----	--------	---	-------

Auto switch

Nil	Without auto switch (Built-in magnet)
-----	---------------------------------------

* Lead wire length symbols: 0.5m.....Nil (Example) M9BV
 3m.....L (Example) M9NL
 5m.....Z (Example) M9NZ

Finger option

Nil: Basic type	1: Side tapped mounting	2: Through-holes in opening/closing direction	3: Flat type fingers

Action

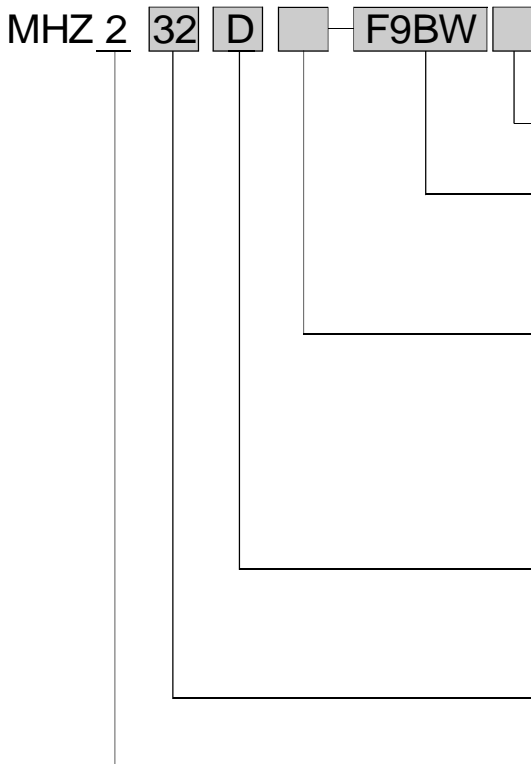
D	Double acting
S	Single acting (Normally open)
C	Single acting (Normally closed)

Bore size

6	6mm
---	-----

Number of fingers

2	2 fingers
---	-----------



Φ 32 to Φ 40

Number of auto switches

Nil	2 pcs.	S	1 pc.
-----	--------	---	-------

Auto switch

Nil	Without auto switch (Built-in magnet)
-----	---------------------------------------

* Lead wire length symbols: 0.5m.....Nil (Example) M9N
 3m.....L (Example) M9NL
 5m.....Z (Example) Y59AZ

Finger option: Standard

Nil: Basic type	1: Side tapped mounting	2: Through-holes in opening/closing direction	3: Flat type fingers

Action

D	Double acting
S	Single acting (Normally open)
C	Single acting (Normally closed)

Bore size

32	32mm	40	40mm
----	------	----	------

Number of fingers

2	2 fingers
---	-----------

Parallel Style Air Gripper

Standard Type

Series MHZ2



MHZ2 16 D [] [] F9BW []

Φ 10 to Φ 25

Number of auto switches

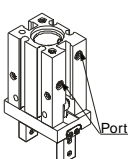
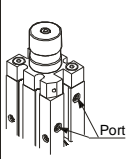
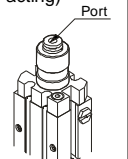
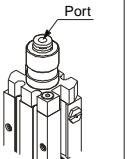
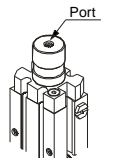
Nil	2 pcs.	S	1 pc.
-----	--------	---	-------

Auto switch

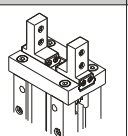
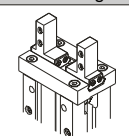
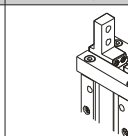
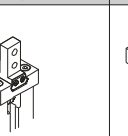
Nil	Without auto switch (Built-in magnet)
-----	---------------------------------------

* Lead wire length symbols: 0.5m.....Nil (Example) M9BV
 3m.....L (Example) M9NL
 5m.....Z (Example) M59AZ

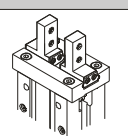
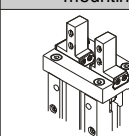
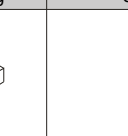
Body option

Nil: Basic type	E: End boss type	W: End boss type	K: End boss type	M: End boss type
	Side ported (Double acting/ Single acting)	Axial ported Φ 4 One-touch fitting for coaxial tubing (Double acting)	Axial ported Φ 4 One-touch fitting (Single acting)	Axial ported with M5 port (Single acting)
				

Finger option

Standard: (MHQG2 compatible type)			
Nil: Basic type	1: Side tapped mounting	2: Through-holes in opening/closing direction	3: Flat type fingers ^(Note)
			

Note: The flat type fingers do not have standard and narrow options.

Narrow type: (MHQ2 compatible type)		
N: Basic type	N1: Side tapped mounting	N2: Through-holes in opening/closing direction
		

Action

D	Double acting
S	Single acting (Normally open)
C	Single acting (Normally closed)

Bore size

10	10mm	16	16mm	20	20mm	25	25mm
----	------	----	------	----	------	----	------

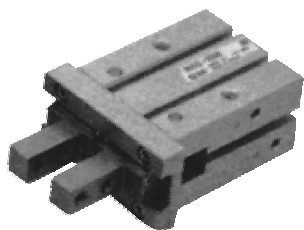
Number of fingers

2	2 fingers 2
---	-------------

- I
- CJP
- CJ1
- CS1, CDS1
- SI
- MB, MBW
- SU
- SC
- CJ2
- CM2
- MA
- MAL
- CQ2, CQ2
- CQS
- SDA
- CU
- CUJ
- MD
- MK
- CXS
- CXSW
- TN
- CXWM
- STM
- CRA1
- CRQ2
- MSQ
- MGP
- MGG
- MGC
- CY1B
- CY1R
- CY1S
- CY1L
- MHZ2**
- MHZJ2
- MHL2
- MHT2
- MHY2
- RSQ
- CS
- Auto switch
- D
- Auto switch
- AC, AD
- HR
- RB
- RBL
- RBQ

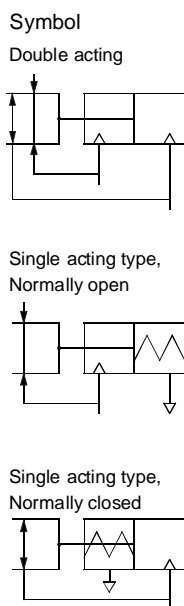
Parallel Style Air Gripper Standard Type Series MHZ2

◆ Specifications



Fluid		Air	
Operating pressure	Double acting		Φ6: 0.15~0.7 MPa Φ10: 0.2~0.7 MPa Φ16 to Φ40: 0.1~0.7 MPa
	Single acting	Normally open	Φ6: 0.3~0.7 MPa Φ10: 0.35~0.7 MPa Φ16~Φ40: 0.25~0.7 MPa
		Normally closed	
Ambient and fluid temperature		-10~60°C (No freezing)	
Repeatability		Φ6~Φ25: ±0.01 mm Φ32, Φ40: ±0.02 mm	
Max. operating frequency		Φ6~Φ25: 180 c.p.m. Φ32, Φ40: 60 c.p.m.	
Lubrication		Not required	
Action		Double acting/Single acting	
Auto switch (Option)		Solid state switch (3-wire, 2-wire)	

◆ Model



Action	Model	Bore size (mm)	Gripping force ⁽¹⁾		Opening/Closing stroke (Both sides) (mm)	Weight ⁽²⁾ (g)	
			Gripping force per finger Effective value (N)				
			External	Internal			
Double acting	MHZ2-6D	6	3.3	6.1	4	27	
	MHZ2-10D (N)	10	11	17	4	55	
	MHZ2-16D (N)	16	34	45	6	115	
	MHZ2-20D (N)	20	42	66	10	235	
	MHZ2-25D (N)	25	65	104	14	430	
	MHZ2-32D	32	158	193	22	715	
Single acting	Normally open	MHZ2-40D	40	254	318	30	1275
		MHZ2-6S	6	1.9	—	4	27
		MHZ2-10S (N)	10	7.1	—	4	55
		MHZ2-16S (N)	16	27	—	6	115
		MHZ2-20S (N)	20	33	—	10	240
		MHZ2-25S (N)	25	45	—	14	435
	Normally closed	MHZ2-32S	32	131	—	22	760
		MHZ2-40S	40	217	—	30	1370
		MHZ2-6C	6	—	3.7	4	27
		MHZ2-10C (N)	10	—	13	4	55
		MHZ2-16C (N)	16	—	38	6	115
		MHZ2-20C (N)	20	—	57	10	240
Normally closed	MHZ2-25C (N)	25	—	83	14	430	
	MHZ2-32C	32	—	161	22	760	
	MHZ2-40C	40	—	267	30	1370	

Note 1) Values based on pressure of 0.5 MPa, gripping point L = 20 mm, at center of stroke.
Note 2) Except auto switch.

◆ Option Body Option/End Boss Type

Symbol	Piping port location	Type of piping port						Applicable model	
		MHZ2-6	MHZ2-10	MHZ2-16	MHZ2-20	MHZ2-25	MHZ2-32	MHZ2-40	Double acting
Nil	Basic type	M3 x 0.5		M5 x 0.8				●	●
E	Side ported	—	M3x0.5	M5 x 0.8			—	●	●
W	Axial ported	—	With Φ4 One-touch fitting for coaxial tubing				—	●	—
K	Axial ported	—	With Φ4 One-touch fitting				—	—	●
M	Axial ported	—	M5 x 0.8				—	—	●

Parallel Style Air Gripper

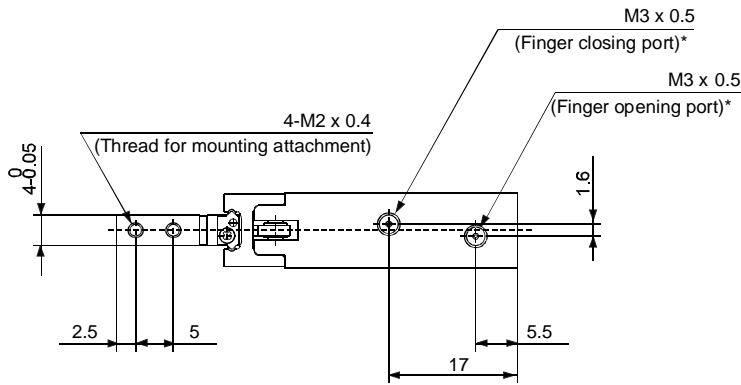
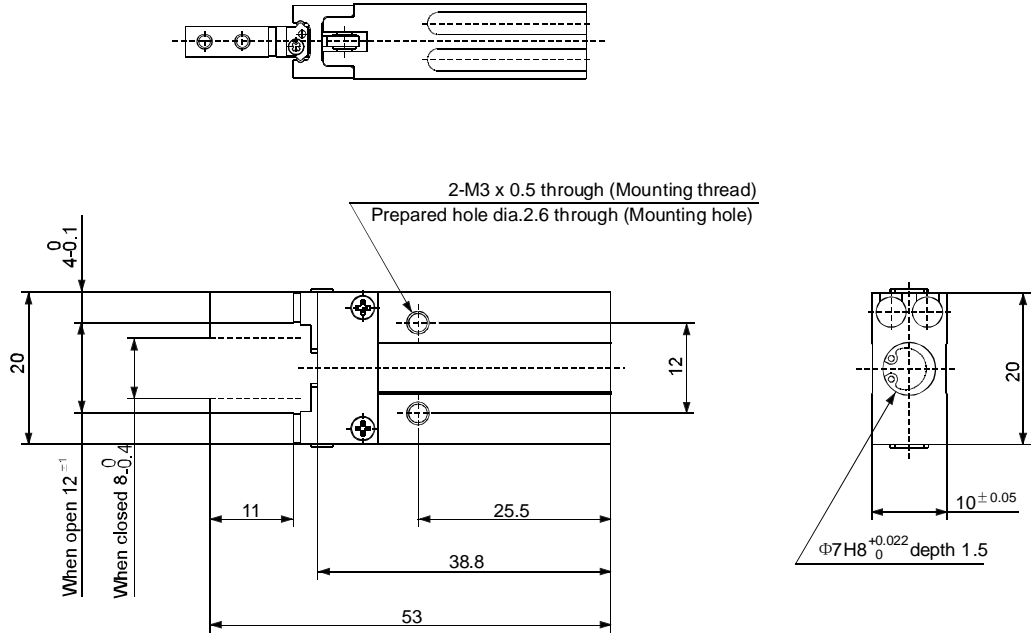
Standard Type

Series MHZ2

GRIPPER
SYSTEMS S.R.O.

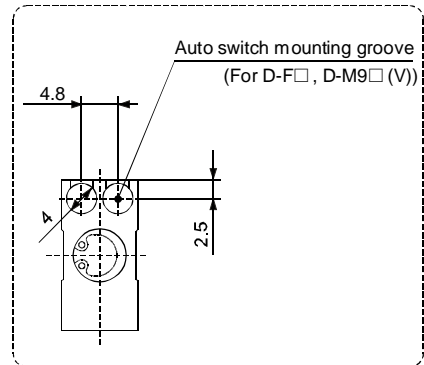
◆ Dimensions

MHL2-6 □ Double acting/Single acting
Basic type



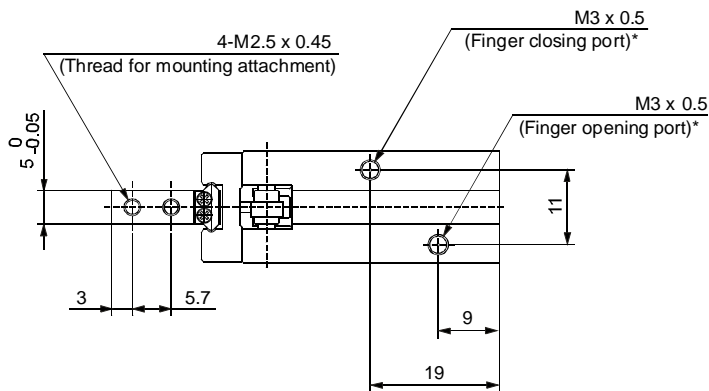
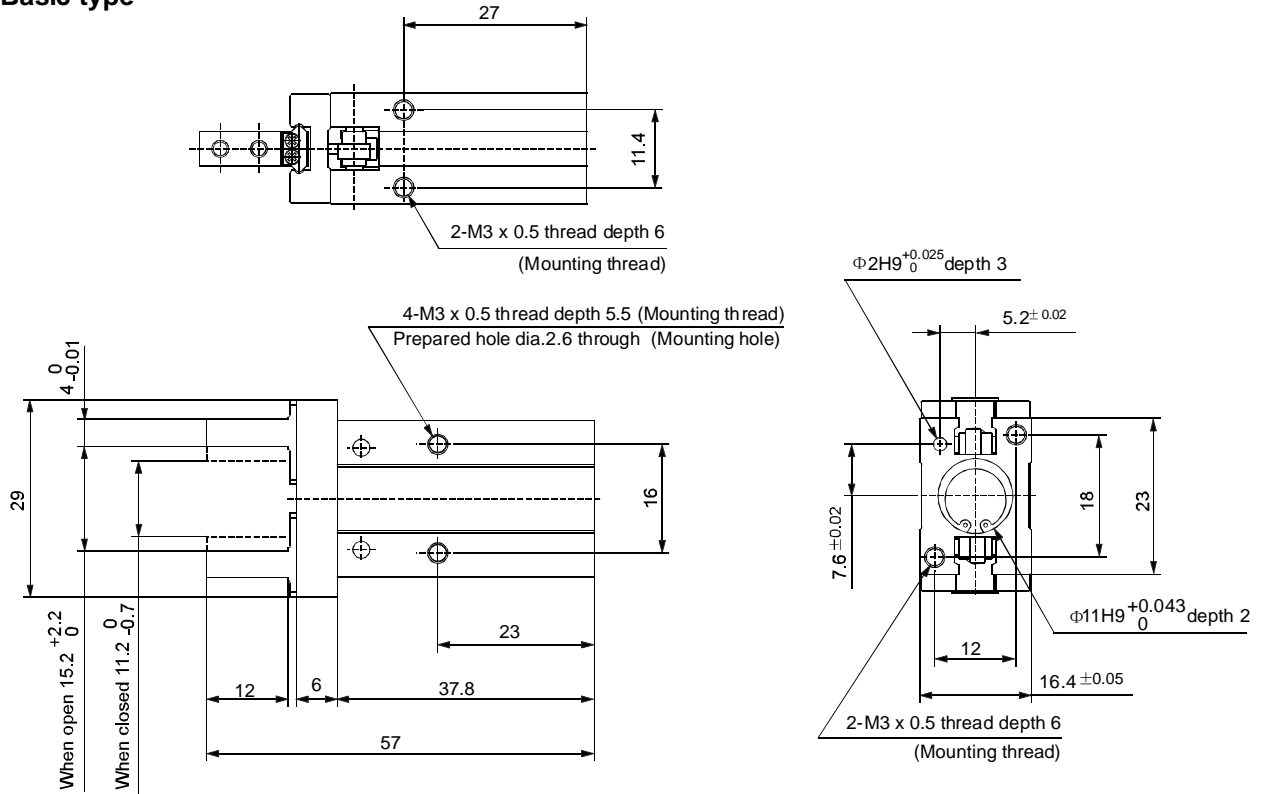
*For single action, the port on one side is a breathing hole.

Auto Switch Mounting Groove Dimensions



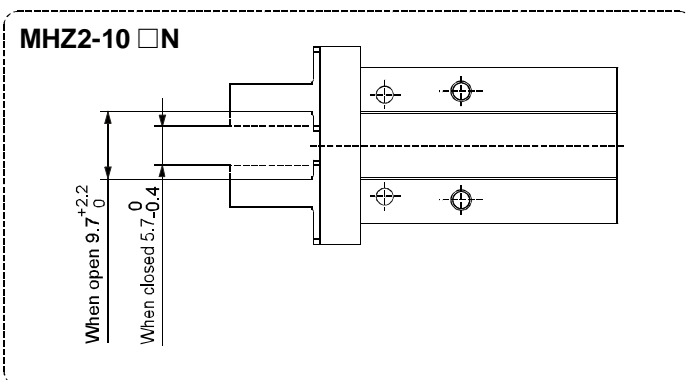
I
CJP
CJ1
CS1,CDS1
SI
MB,MBW
SU
SC
CJ2
CM2
MA
MAL
CQ2,CDQ2
CQS
SDA
CU
CUJ
MD
MK
CXS
CXSW
TN
CXWM
STM
CRA1
CRQ2
MSQ
MGP
MGG
MGC
CY1B
CY1R
CY1S
CY1L
MHZ2
MHZJ2
MHL2
MHT2
MHY2
RSQ
CS Auto switch
D Auto switch
AC,AD
HR
RB
RBL
RBQ

MHL2-10 □ Double acting / Single acting
Basic type

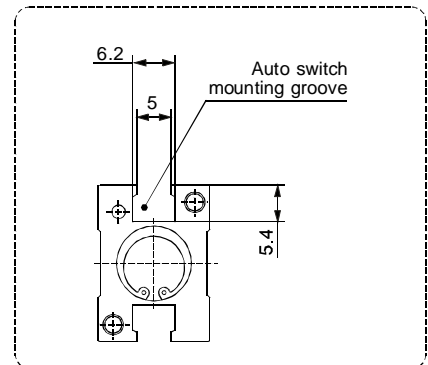


*For single action, the port on one side is a breathing hole.

Finger Position/Narrow Type



Auto Switch Mounting Groove Dimensions



Note) When using D-Y59, D-Y69 and D-Y7 type auto switches, through-hole mounting is not possible.

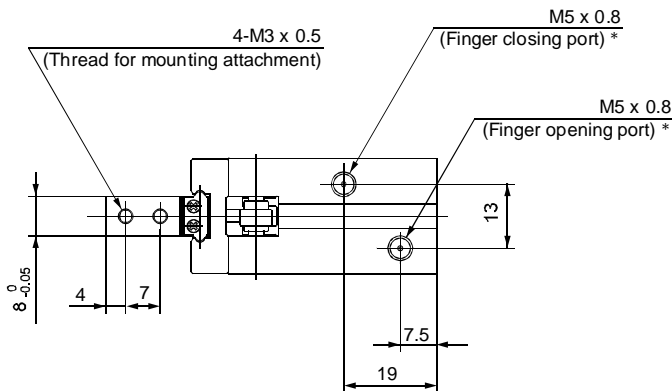
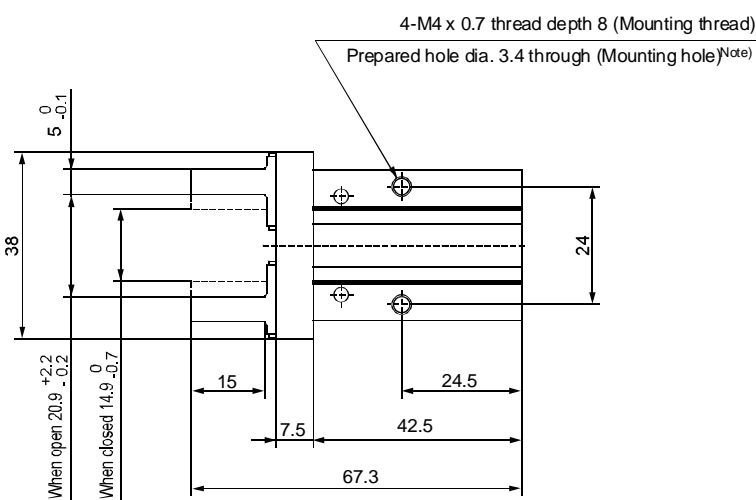
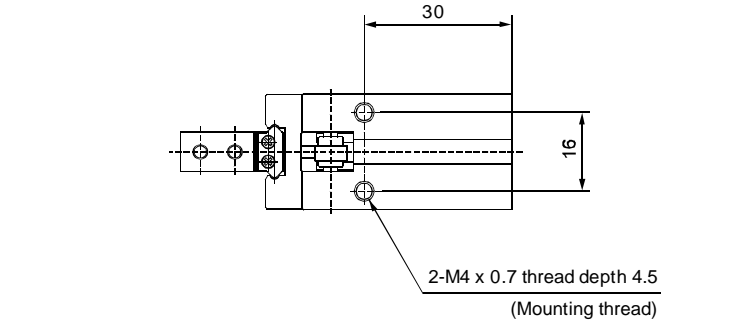
Parallel Style Air Gripper

Standard Type

Series MHZ2

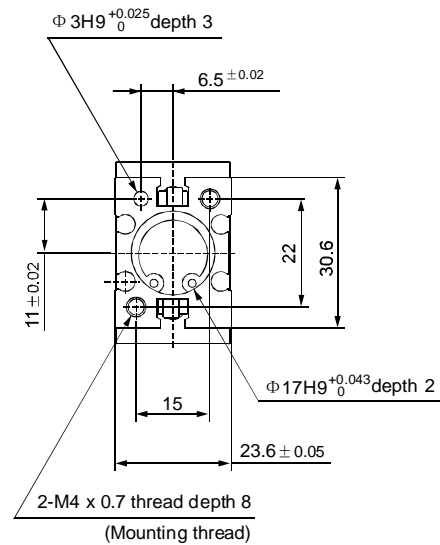
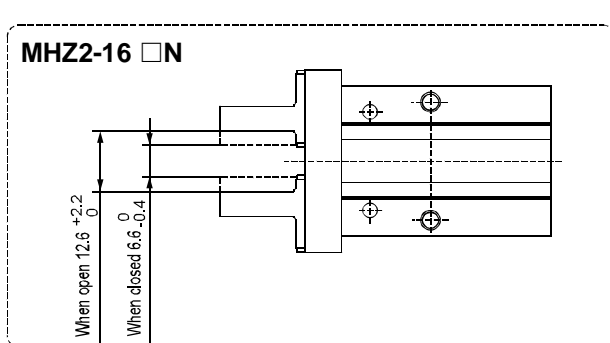
GRIPPER
SYSTEMS S.R.O.

MHZ2-16 □ Double acting/Single acting Basic type

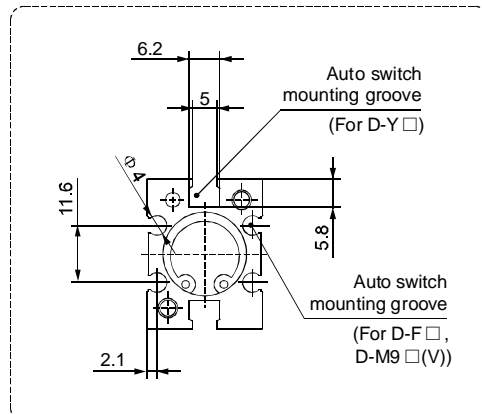


* For single action, the port on one side is a breathing hole

Finger Position/Narrow Type



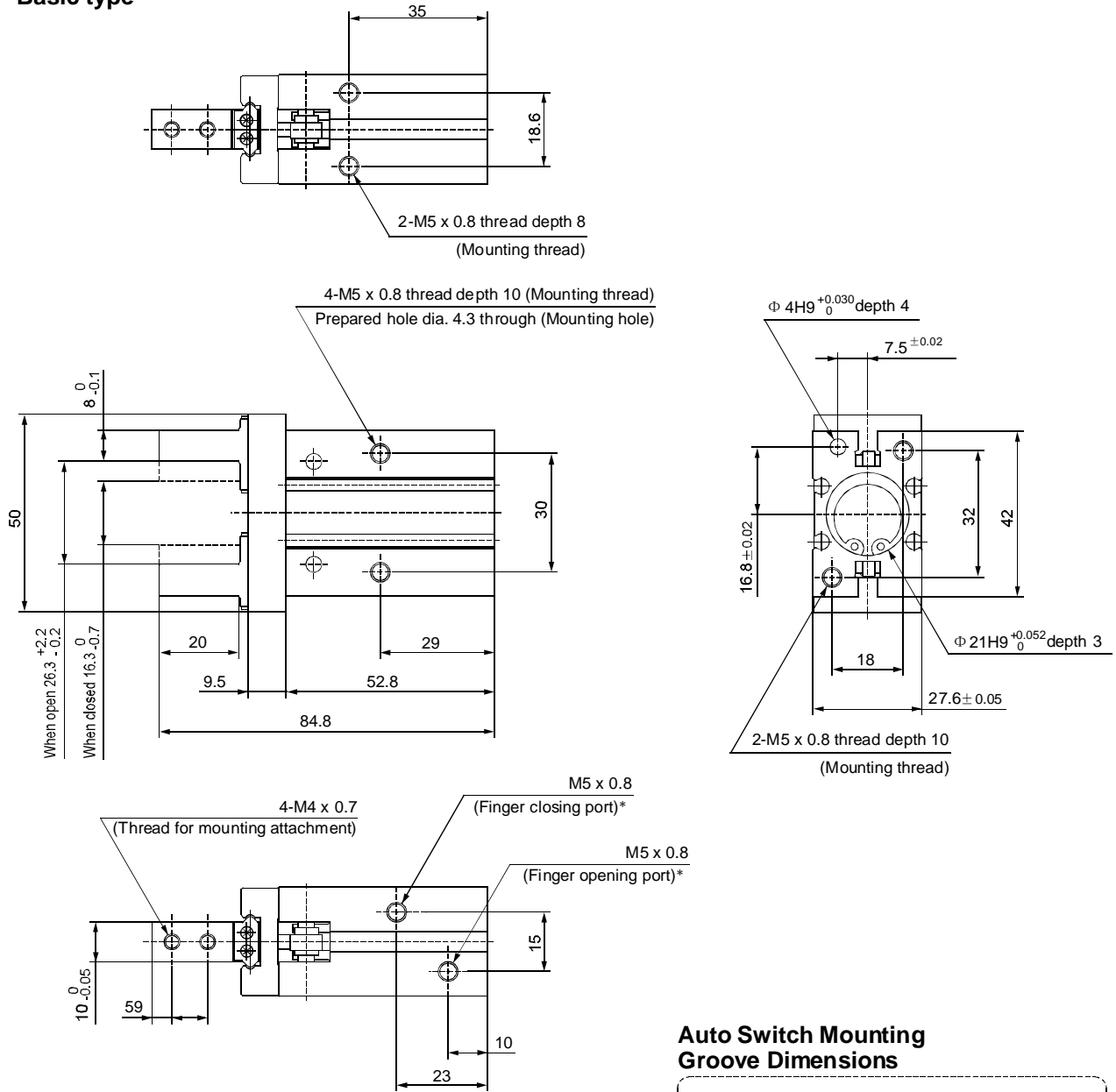
Auto Switch Mounting Groove Dimensions



Note) When using D-Y59, D-Y69 and D-Y7 type auto switches, through-hole mounting is not possible.

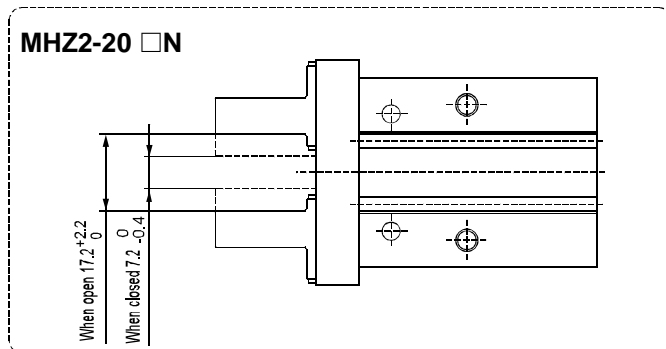
I
CJP
CJ1
CS1,CDS1
SI
MB,MBW
SU
SC
CJ2
CM2
MA
MAL
CQ2,CQ2
CQS
SDA
CU
CUJ
MD
MK
CXS
CXSW
TN
CXWM
STM
CRA1
CRQ2
MSQ
MGP
MGG
MGC
CY1B
CY1R
CY1S
CY1L
MHZ2
MHZJ2
MHL2
MHT2
MHY2
RSQ
CS Auto switch
D Auto switch
AC,AD
HR
RB
RBL
RBQ

MHZ2-20 □ Double acting/Single acting
Basic type

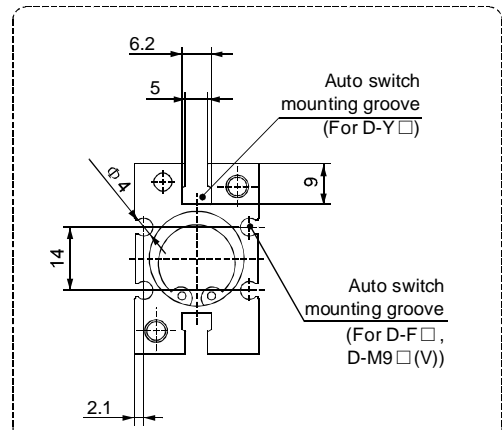


*For single action, the port on one side is a breathing hole.

Finger Position/Narrow Type



Auto Switch Mounting Groove Dimensions



Note) When using D-Y59, D-Y69 and D-Y7 type auto switches, through-hole mounting is not possible.

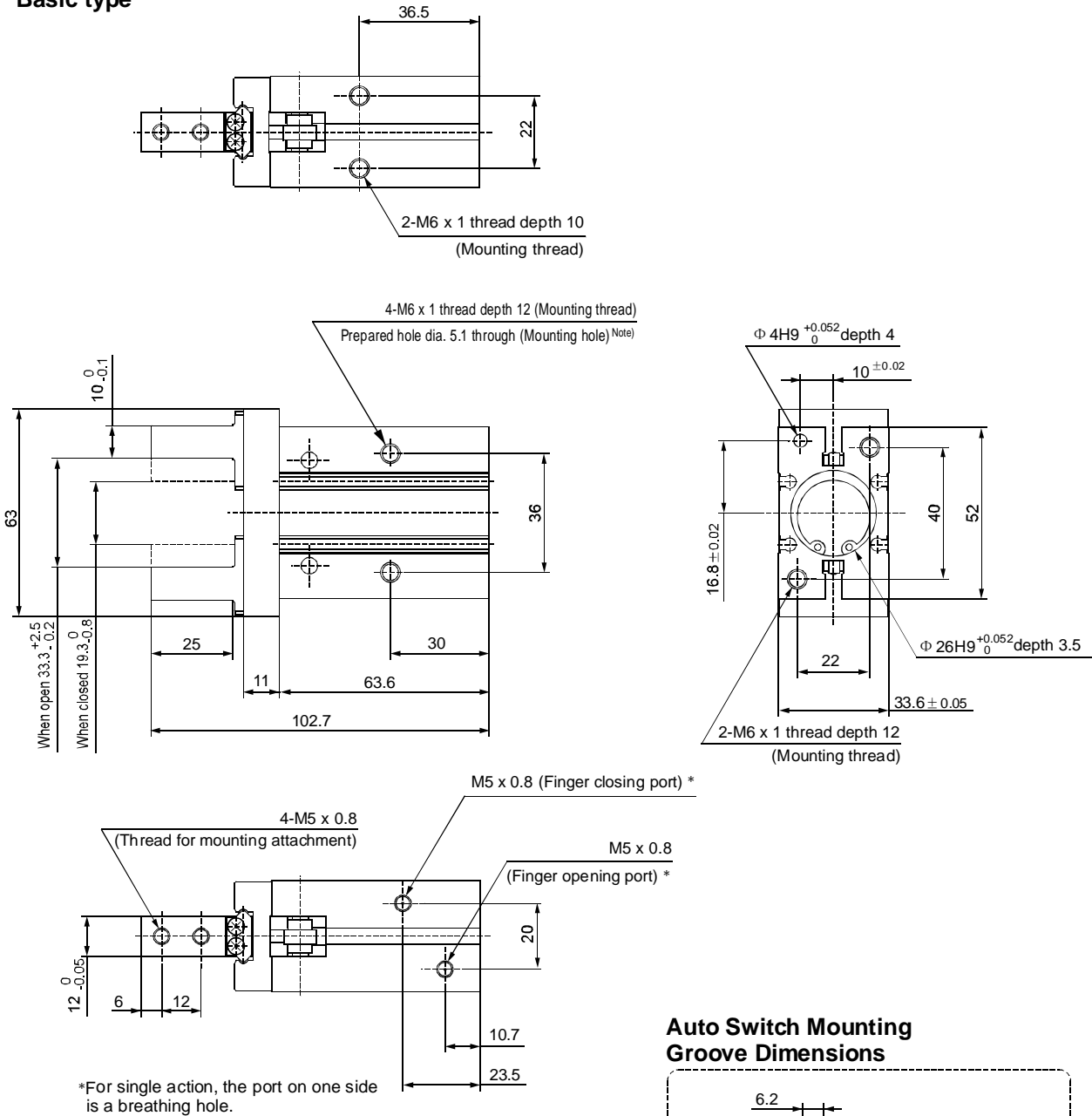
Parallel Style Air Gripper

Standard Type

Series MHZ2

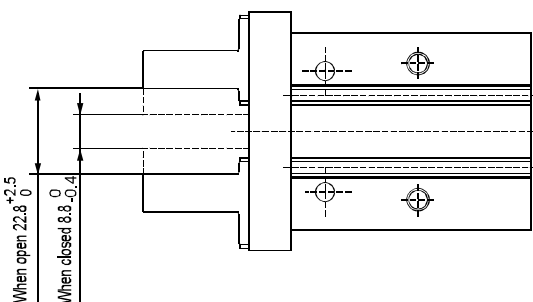
GRIPPER
SYSTEMS S.R.O.

MHZ2-25 □ Double acting/Single acting Basic type

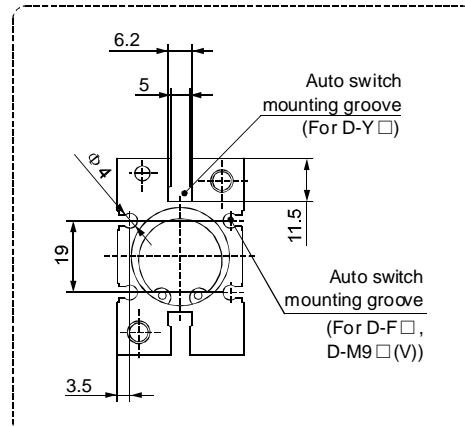


Finger Position/Narrow Type

MHZ2-25 □ N



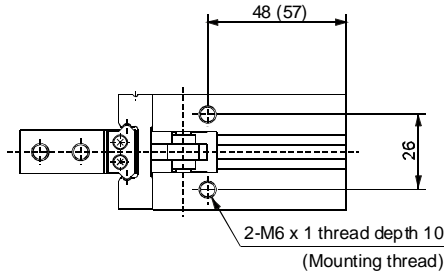
Auto Switch Mounting Groove Dimensions



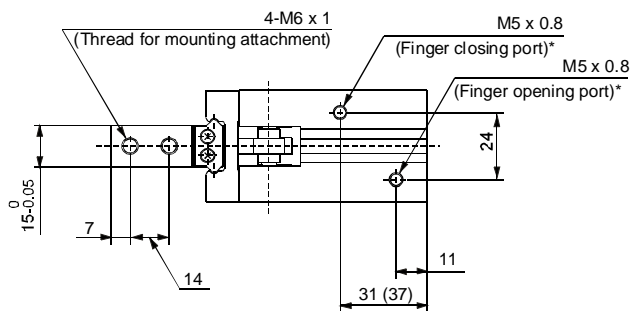
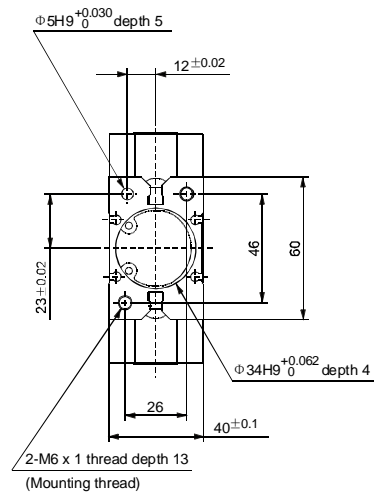
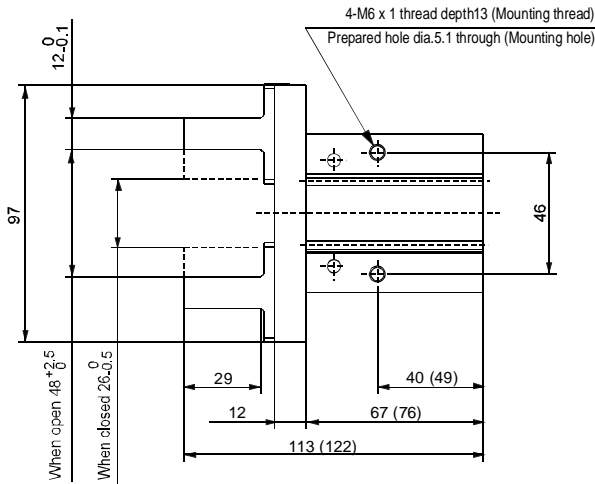
Note) When using D-Y59, D-Y69 and D-Y7 type auto switches, through-hole mounting is not possible.

- I
- CJP
- CJ1
- CS1,CDS1
- SI
- MB,MBW
- SU
- SC
- CJ2
- CM2
- MA
- MAL
- CQ2,CQ2
- CQS
- SDA
- CU
- CUJ
- MD
- MK
- CXS
- CXSW
- TN
- CXWM
- STM
- CRA1
- CRQ2
- MSQ
- MGP
- MGG
- MGC
- CY1B
- CY1R
- CY1S
- CY1L
- MHZ2**
- MHZJ2
- MHL2
- MHT2
- MHY2
- RSQ
- CS
Auto switch
- D
Auto switch
- AC,AD
- HR
- RB
- RBL
- RBQ

MHL2-32 □ Double acting / Single acting
Basic type

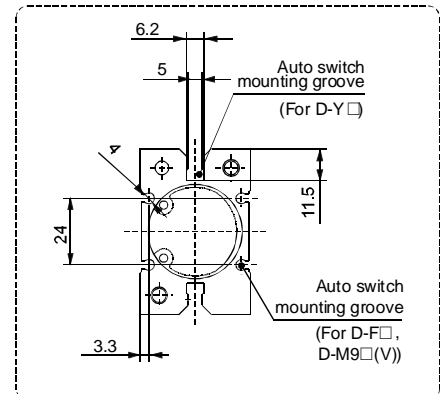


The values inside () are dimensions for the single acting type.



*For single action, the port on one side is a breathing hole.

Auto Switch Mounting Groove Dimensions



Note) When using D-Y59, D-Y69 and D-Y7 type auto switches, through-hole mounting is not possible.

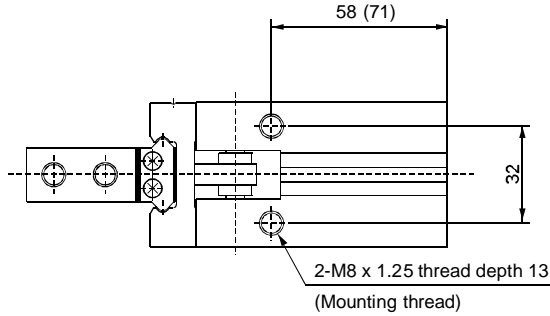
Parallel Style Air Gripper

Standard Type

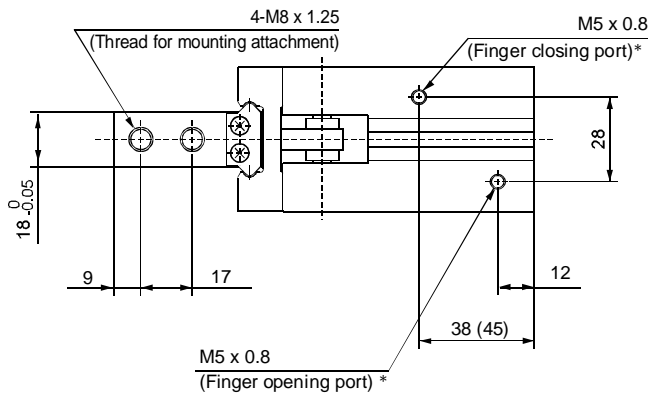
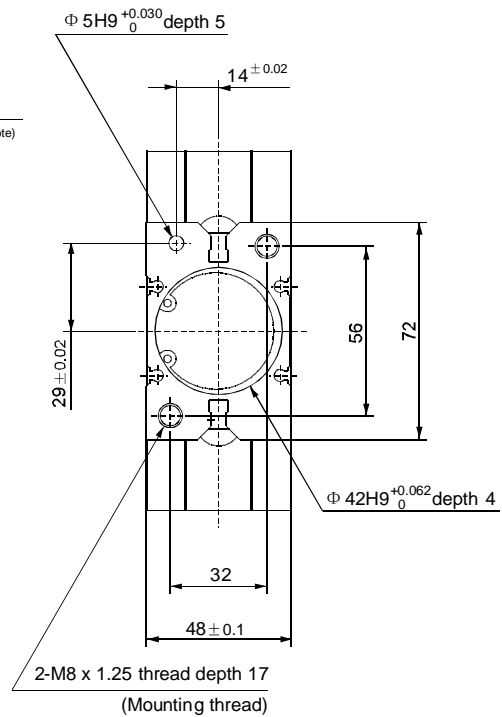
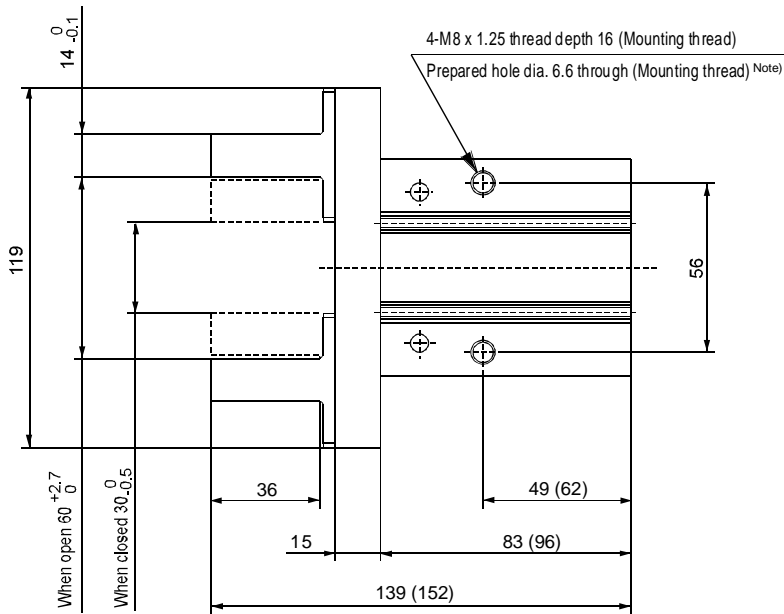
Series MHZ2

GRIPPER
SYSTEMS S.R.O.

MHZ2-40 □ Double acting/Single acting
Basic type

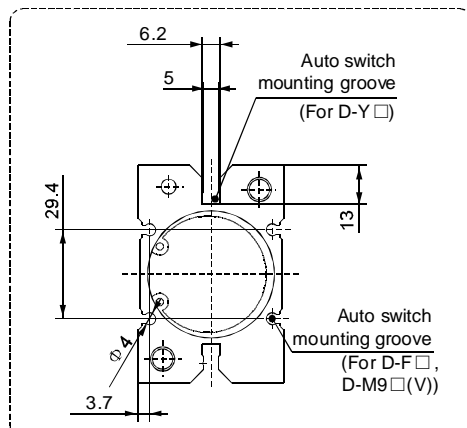


The values inside () are dimensions for the single acting type.



*For single action, the port on one side is a breathing hole.

Auto Switch Mounting Groove Dimensions



Note) When using D-Y59, D-Y69 and D-Y7 type auto switches, through-hole mounting is not possible.

I
CJP
CJ1
CS1,CDS1
SI
MB,MBW
SU
SC
CJ2
CM2
MA
MAL
CQ2,CQ2
CQS
SDA
CU
CUJ
MD
MK
CXS
CXSW
TN
CXWM
STM
CRA1
CRQ2
MSQ
MGP
MGG
MGC
CY1B
CY1R
CY1S
CY1L
MHZ2
MHZJ2
MHL2
MHT2
MHY2
RSQ
CS Auto switch
D Auto switch
AC,AD
HR
RB
RBL
RBQ

Parallel Style Wide Opening Air Gripper

Series MHL2

◆ How to Order

MHL 2 16 D 1 Y7BW S

Number of auto switches

Nil	2 pcs.	S	1 pc.	n	"n" pcs.
-----	--------	----------	-------	----------	----------

Auto switch

Nil	Without auto switch (Built-in magnet)
-----	---------------------------------------

* Lead wire length symbols: 0.5m.....Nil (Example) Y7BW
3m.....L (Example) Y7BWL
5m.....Z (Example) Y7BWZ

Opening/Closing stroke

Symbol	Φ 10	Φ 16	Φ 20	Φ 25	Φ 32	Φ 40
Nil	20	30	40	50	70	100
1	40	60	80	100	120	160
2	60	80	100	120	160	200

Action

D	Double acting
----------	---------------

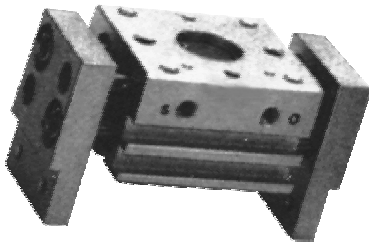
Bore size

10	10mm	16	16mm	20	20mm
25	25mm	32	32mm	40	40mm

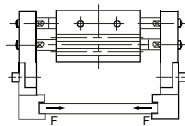
Number of fingers

2	2 fingers 2
----------	-------------

Wide opening



Symbol



◆ Model/Stroke

Model	Bore size (mm)	Max. operating frequency (c.p.m.)	Opening/Closing stroke (mm) L2 - L1	Width at closing (mm) L1	Width at opening (mm) L2	Weight (g)
MHL2-10D□	10	60	20	56	76	280
MHL2-10D1		40	40	78	118	345
MHL2-10D2			60	96	156	425
MHL2-16D□	16	60	30	68	98	585
MHL2-16D1		40	60	110	170	795
MHL2-16D2			80	130	210	935
MHL2-20D□	20	60	40	82	122	1025
MHL2-20D1		40	80	142	222	1495
MHL2-20D2			100	162	262	1690
MHL2-25D□	25	60	50	100	150	1690
MHL2-25D1		40	100	182	282	2560
MHL2-25D2			120	200	320	2775
MHL2-32D□	32	30	70	150	220	2905
MHL2-32D1		20	120	198	318	3820
MHL2-32D2			160	242	402	4655
MHL2-40D□	40	30	100	188	288	5270
MHL2-40D1		20	160	246	406	6830
MHL2-40D2			200	286	486	7905

Note) The open and close time spans represent the value when the exterior of the workpiece is being held.

Parallel Style Wide Opening Air Gripper Series MHL2

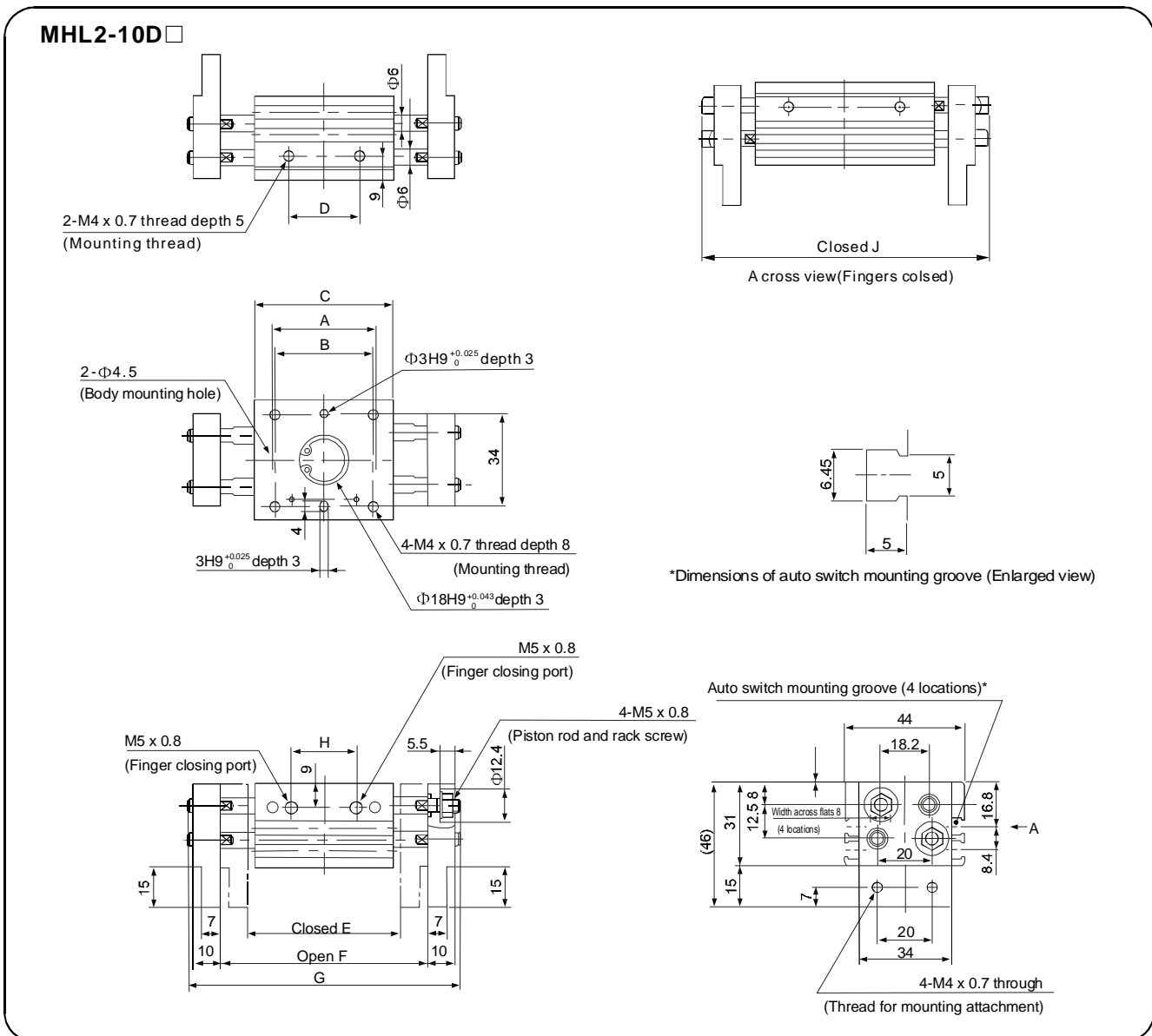


◆ Specifications

Bore size	10mm	16mm	20mm	25mm	32mm	40mm
Fluid	Air					
Action	Double acting					
Operating pressure	0.15~0.6 MPa		0.1~0.6 MPa			
Ambient and fluid temperature	-10~60°C (No freezing)					
Repeatability	±0.1					
Lubrication	Not required					
Effective gripping force (N) at 0.5 Mpa	14	45	74	131	228	396

Note) Gripping point = Bore size 10, 16, 20, 25: 40 mm, Bore size 32, 40: 80 mm.

◆ Dimensions



(mm)

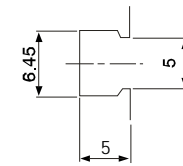
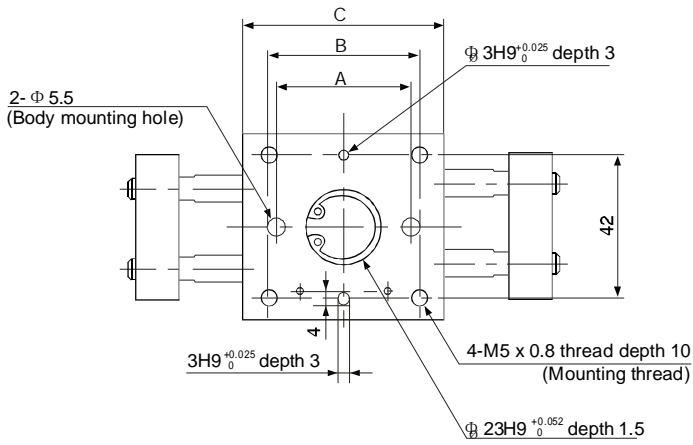
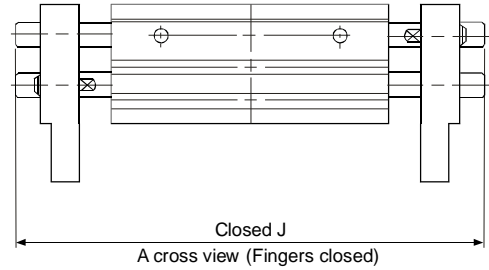
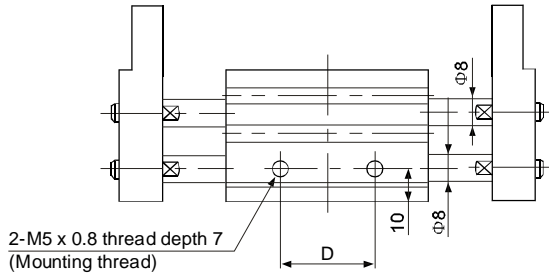
Model	A	B	C	D	E	F	G	H	J
MHL2-10D	38	36	51	26	56	76	100	24	80
MHL2-10D1	54	52	67	42	78	118	142	39	108
MHL2-10D2	72	70	85	60	96	156	180	57	146

Note 1) J dimension is at fully closed.

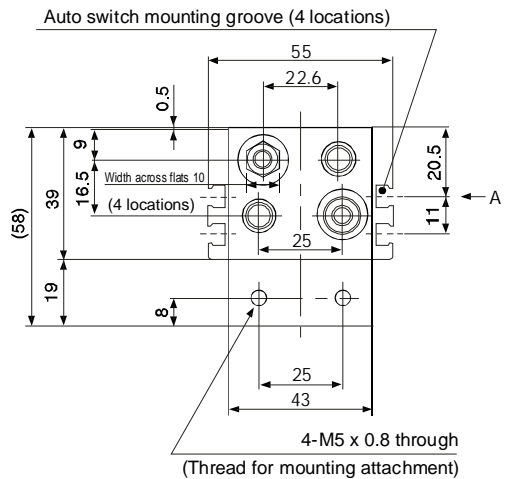
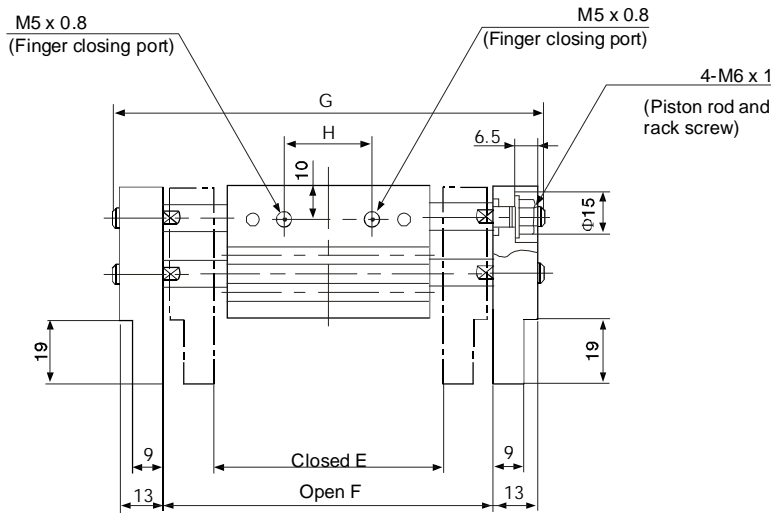
Note 2) D1 is different from D2 at finger closed because shaft is ejected from finger end. J dimension is different from the value which is subtracted stroke from G dimension.

I
CJP
CJ1
CS1,CS51
SI
MB,MBW
SU
SC
CJ2
CM2
MA
MAL
CQ2,CQ2
CQS
SDA
CU
CUJ
MD
MK
CXS
CXSW
TN
CXWM
STM
CRA1
CRQ2
MSQ
MGP
MGG
MGC
CY1B
CY1R
CY1S
CY1L
MHZ2
MHZJ2
MHL2
MHT2
MHY2
RSQ
CS
Auto switch
D
Auto switch
AC,AD
HR
RB
RBL
RBQ

MHL2-16D □



*Dimensions of auto switch mounting groove (Enlarged view)



(mm)

Model	A	B	C	D	E	F	G	H	J
MHL2-16D	40	45	60	28	68	98	128	26	98
MHL2-16D1	70	75	90	58	110	170	200	50	152
MHL2-16D2	90	95	110	78	130	210	240	70	192

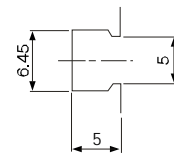
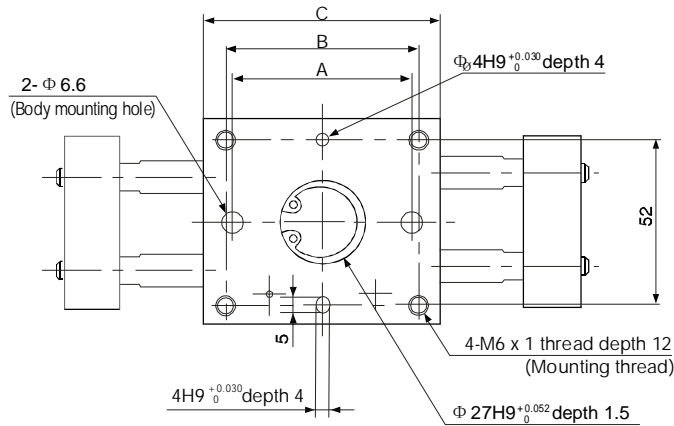
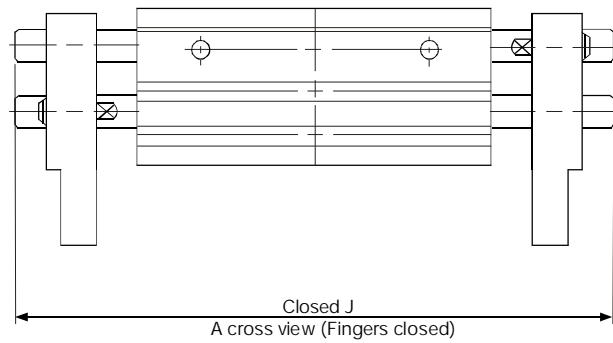
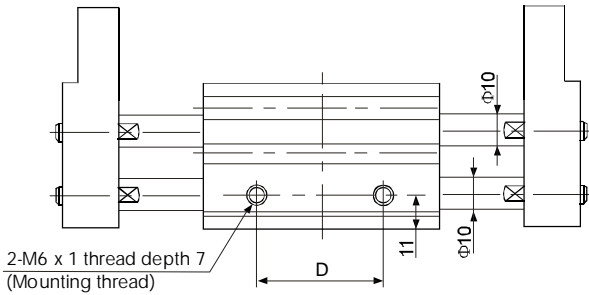
Note 1) J dimension is at fully closed.

Note 2) D1 is different from D2 at finger closed because shaft is ejected from finger end. J dimension is different from the value which is subtracted stroke from G dimension.

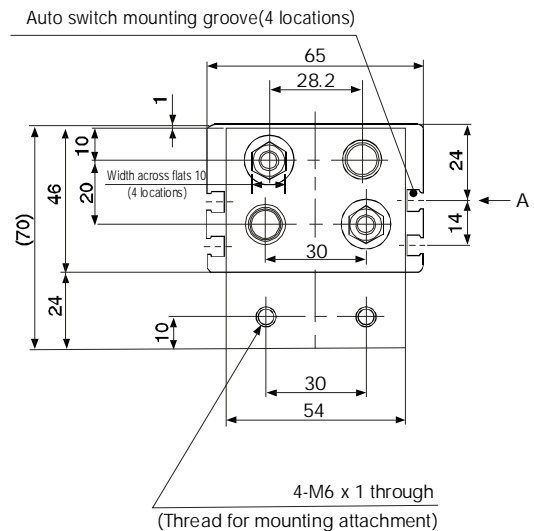
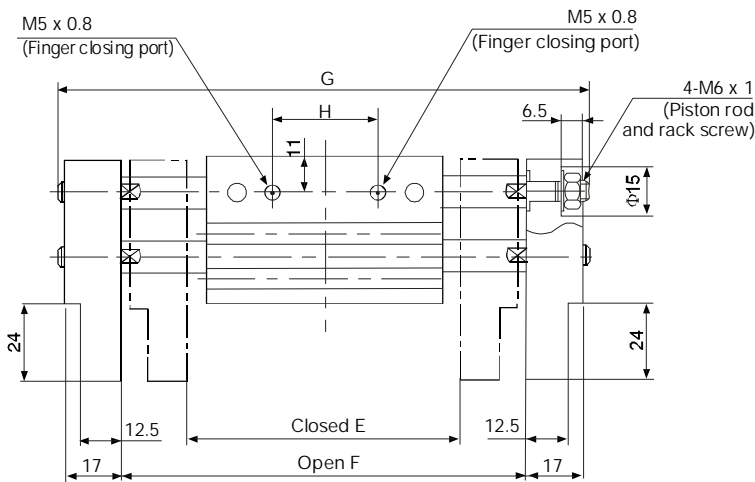
Parallel Style Wide Opening Air Gripper Series MHL2

GRIPPER
SYSTEMS S.R.O.

MHL2-20D □



*Dimensions of auto switch mounting groove (Enlarged view)



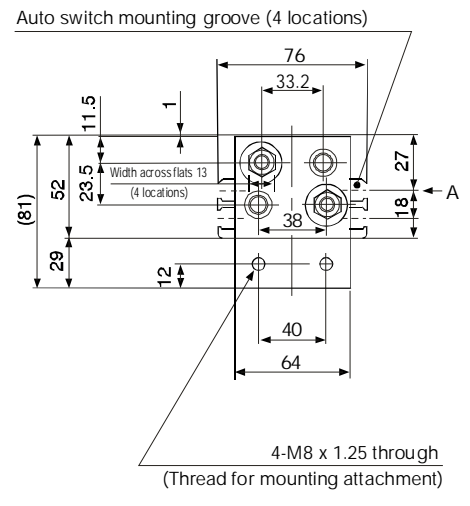
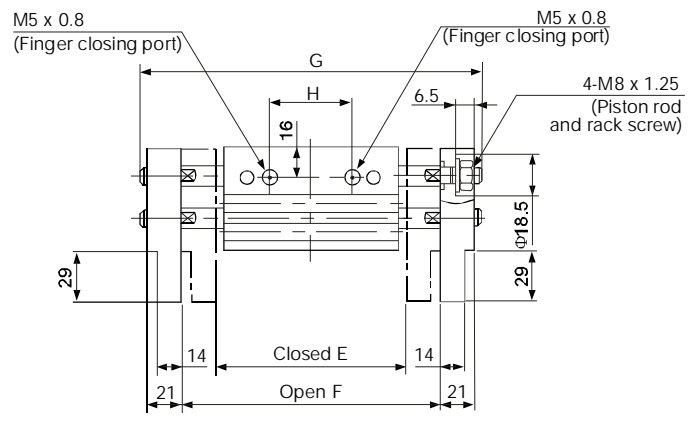
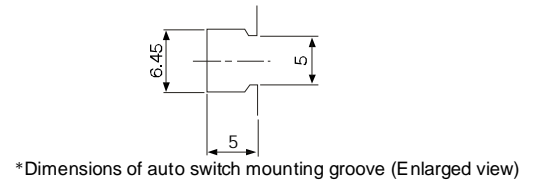
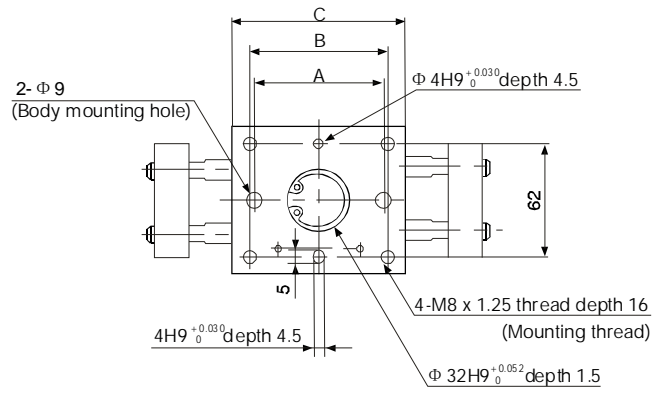
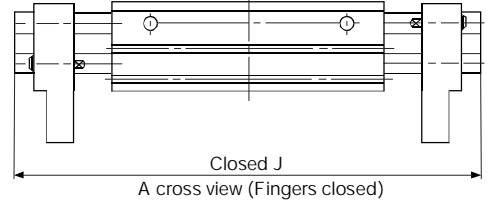
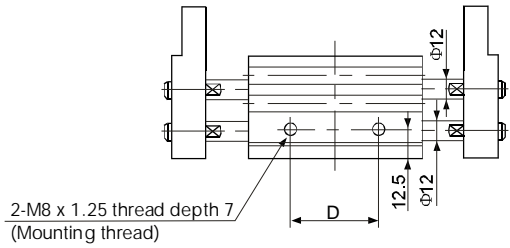
- I
- CJP
- CJ1
- CS1,CDS1
- SI
- MB,MBW
- SU
- SC
- CJ2
- CM2
- MA
- MAL
- CQ2,CDQ2
- CQS
- SDA
- CU
- CUJ
- MD
- MK
- CXS
- CXSW
- TN
- CXWM
- STM
- CRA1
- CRQ2
- MSQ
- MGP
- MGG
- MGC
- CY1B
- CY1R
- CY1S
- CY1L
- MHZ2
- MHZJ2
- MHL2**
- MHT2
- MHY2
- RSQ
- CS
Auto switch
- D
Auto switch
- AC,AD
- HR
- RB
- RBL
- RBQ

Model	A	B	C	D	E	F	G	H	J
MHL2-20D	54	58	71	38	82	122	160	32	120
MHL2-20D1	96	100	113	80	142	222	260	68	195
MHL2-20D2	116	120	133	100	162	262	300	88	235

Note 1) J dimension is at fully closed.

Note 2) D1 is different from D2 at finger closed because shaft is ejected from finger end. J dimension is different from the value which is subtracted stroke from G dimension.

MHL2-25D □



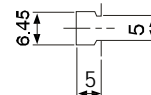
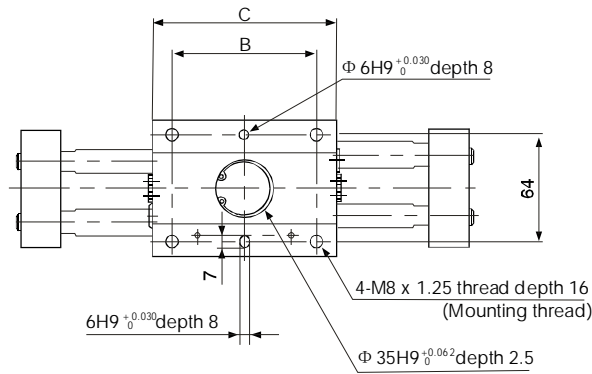
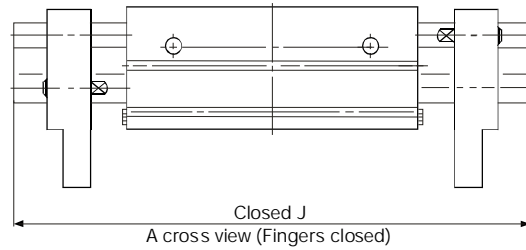
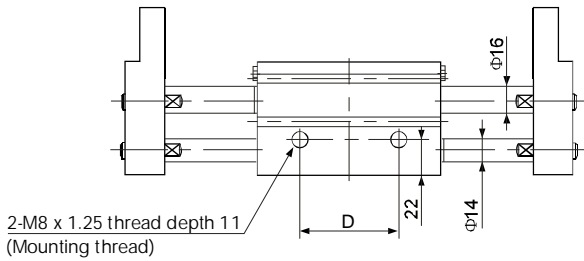
Model	A	B	C	D	E	F	G	H	J
MHL2-25D	66	70	88	48	100	150	196	38	146
MHL2-25D1	120	124	142	102	182	282	328	86	244
MHL2-25D2	138	142	160	120	200	320	366	104	282

Note 1) J dimension is at fully closed.
 Note 2) D1 is different from D2 at finger closed because shaft is ejected from finger end. J dimension is different from the value which is subtracted stroke from G dimension.

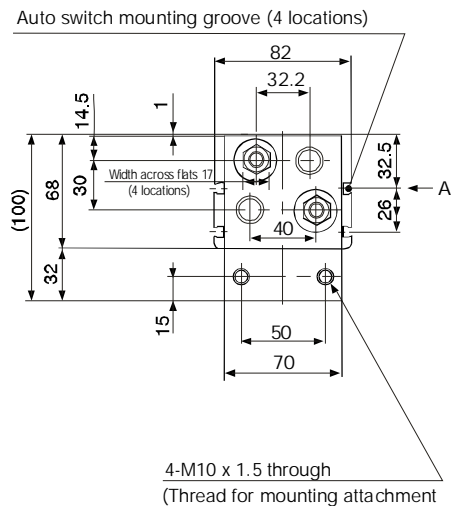
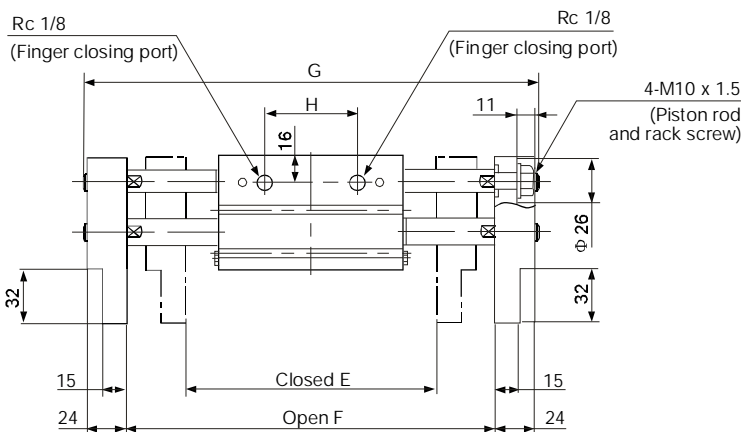
Parallel Style Wide Opening Air Gripper Series MHL2

GRIPPER
SYSTEMS S.R.O.

MHL2-32D □



*Dimensions of auto switch mounting groove (Enlarged view)



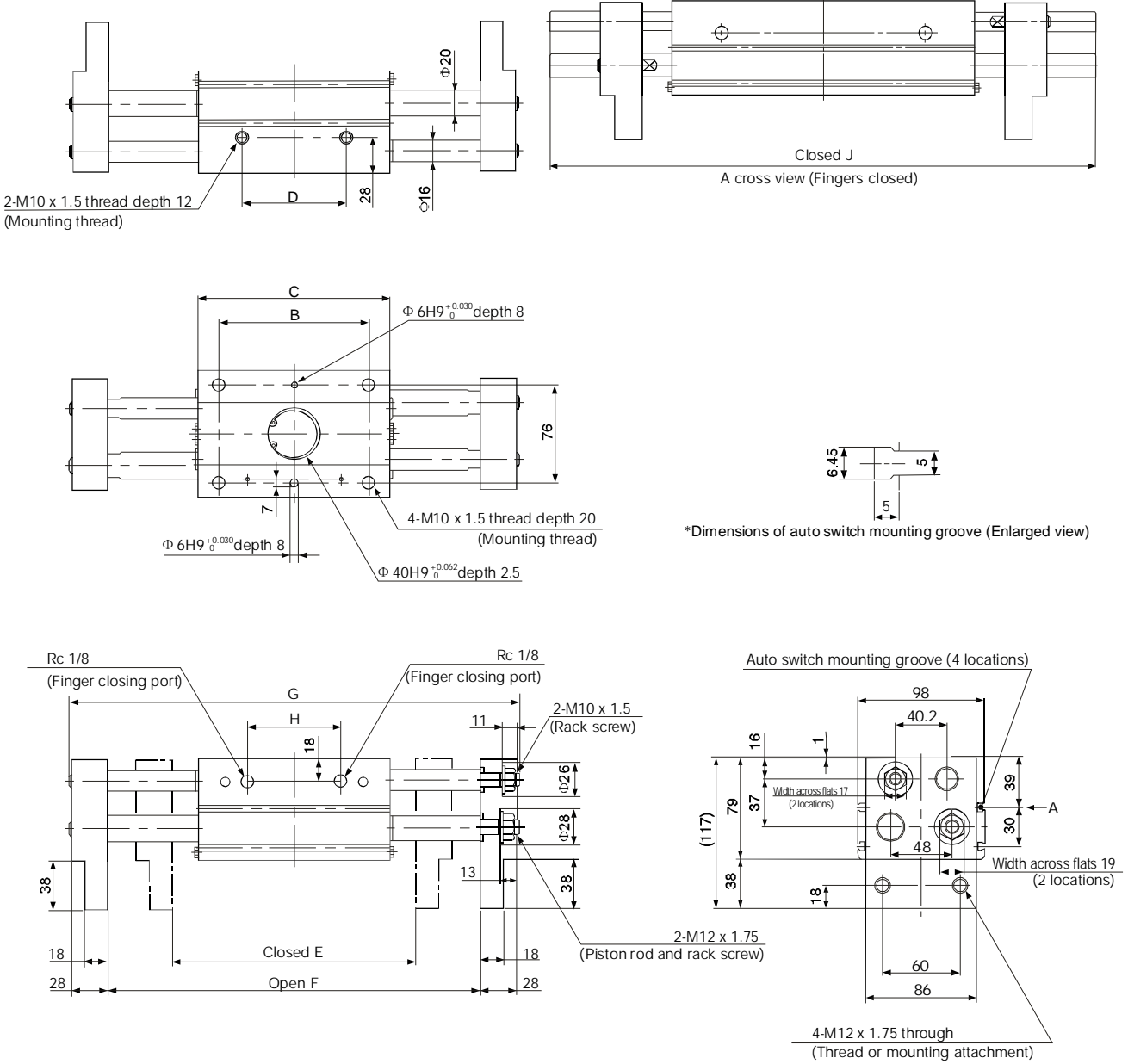
Model	B	C	D	E	F	G	H	J
MHL2-32D	86	110	60	150	220	272	56	202
MHL2-32D1	134	158	108	198	318	370	104	282
MHL2-32D2	178	202	150	242	402	454	148	366

Note 1) J dimension is at fully closed.

Note 2) D1 is different from D2 at finger closed because shaft is ejected from finger end. J dimension is different from the value which is subtracted stroke from G dimension.

- I
- CJP
- CJ1
- CS1,CDS1
- SI
- MB,MBW
- SU
- SC
- CJ2
- CM2
- MA
- MAL
- CQ2,CDQ2
- CQS
- SDA
- CU
- CUJ
- MD
- MK
- CXS
- CXSW
- TN
- CXWM
- STM
- CRA1
- CRQ2
- MSQ
- MGP
- MGG
- MGC
- CY1B
- CY1R
- CY1S
- CY1L
- MHZ2
- MHZJ2
- MHL2**
- MHT2
- MHY2
- RSQ
- CS
Auto switch
- D
Auto switch
- AC,AD
- HR
- RB
- RBL
- RBQ

MHL2-40D □



(mm)

Model	B	C	D	E	F	G	H	J
MHL2-40D	116	148	80	188	288	348	72	252
MHL2-40D1	174	206	138	246	406	466	130	336
MHL2-40D2	214	246	178	286	486	546	170	450

Note 1) J dimension is at fully closed.

Note 2) D1 is different from D2 at finger closed because shaft is ejected from finger end. J dimension is different from the value which is subtracted stroke from G dimension.

180° Angular Style Air Gripper Cam Style Series MHY2

GRIPPER

SYSTEMS S.R.O.

◆ How to Order

MHY 2-16 D 2-F9BW S

Number of auto switches

Nil	2 pcs.	S	1 pc.
-----	--------	---	-------

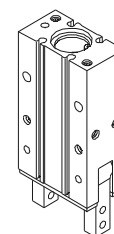
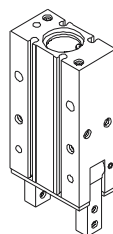
Auto switch

Nil	Without auto switch
-----	---------------------

* Lead wire length symbols: 0.5m... Nil (Example) F9BW
3m... L (Example) F9BWL
5m... Z (Example) F9BWZ

Finger option

Nil: Standard tapped mounting	2: Through-holes in opening/closing direction
-------------------------------	---



Action

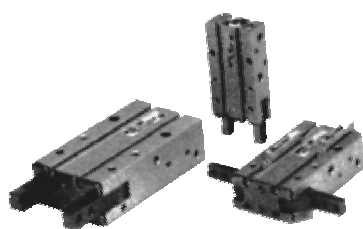
D	Double acting
---	---------------

Bore size

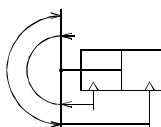
10	10mm	20	20mm
16	16mm	25	25mm

Number of fingers

2	2 fingers
---	-----------



Symbol
Double acting



◆ Specifications

Fluid	Air
Operating pressure range	0.1-0.6 MPa
Ambient and fluid temperature	-10-60°C (No freezing)
Repeatability	±0.2 mm
Max. operating frequency	60 c.p.m.
Lubrication	Not required
Action	Double acting
Auto switch (Option)	Solid state switch (3-wire, 2-wire)

◆ Model

Model	Bore size (mm)	Effective gripping force ⁽¹⁾ (N · m)	Opening/Closing angle(Both sides)		Weight ⁽²⁾ (g)
			Opening side	Closing side	
MHY2-10D	10	0.16	180°	-3°	70
MHY2-16D	16	0.54			150
MHY2-20D	20	1.10			320
MHY2-25D	25	2.28			560

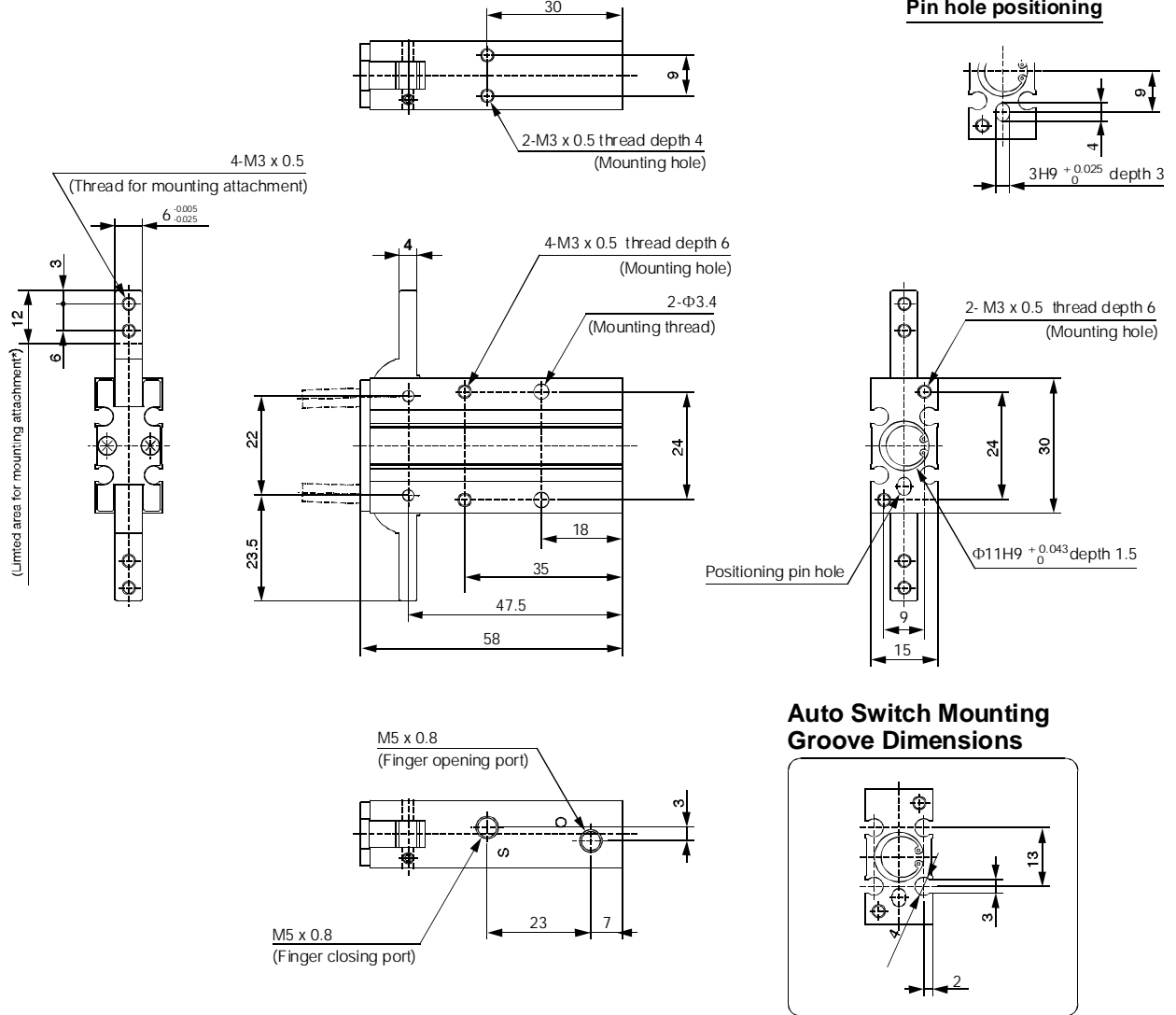
Note 1): At the pressure of 0.5 MPa.

Note 2): Except auto switch.

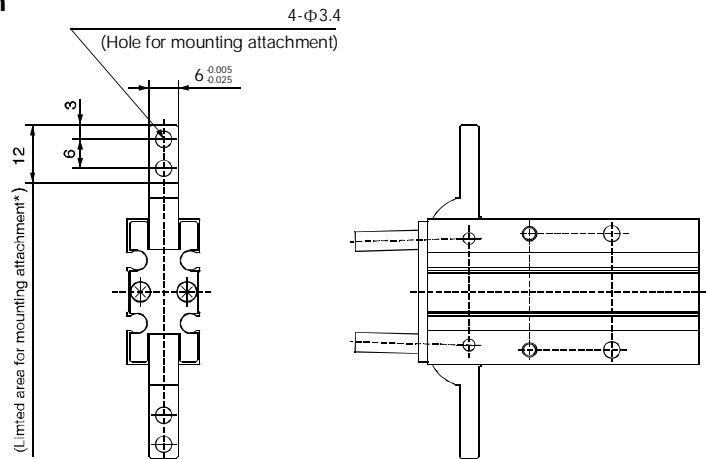
- I
- CJP
- CJ1
- CS1,CDS1
- SI
- MB,MBW
- SU
- SC
- CJ2
- CM2
- MA
- MAL
- CQ2,CDQ2
- CQS
- SDA
- CU
- CUJ
- MD
- MK
- CXS
- CXSW
- TN
- CXWM
- STM
- CRA1
- CRQ2
- MSQ
- MGP
- MGG
- MGC
- CY1B
- CY1R
- CY1S
- CY1L
- MHZ2
- MHZJ2
- MHL2
- MHT2
- MHY2
- RSQ
- CS
Auto switch
- D
Auto switch
- AC,AD
- HR
- RB
- RBL
- RBQ

◆ **Dimensions**

MHY2-10D



MHY2-10D2
Opening/Closing direction
through-hole type

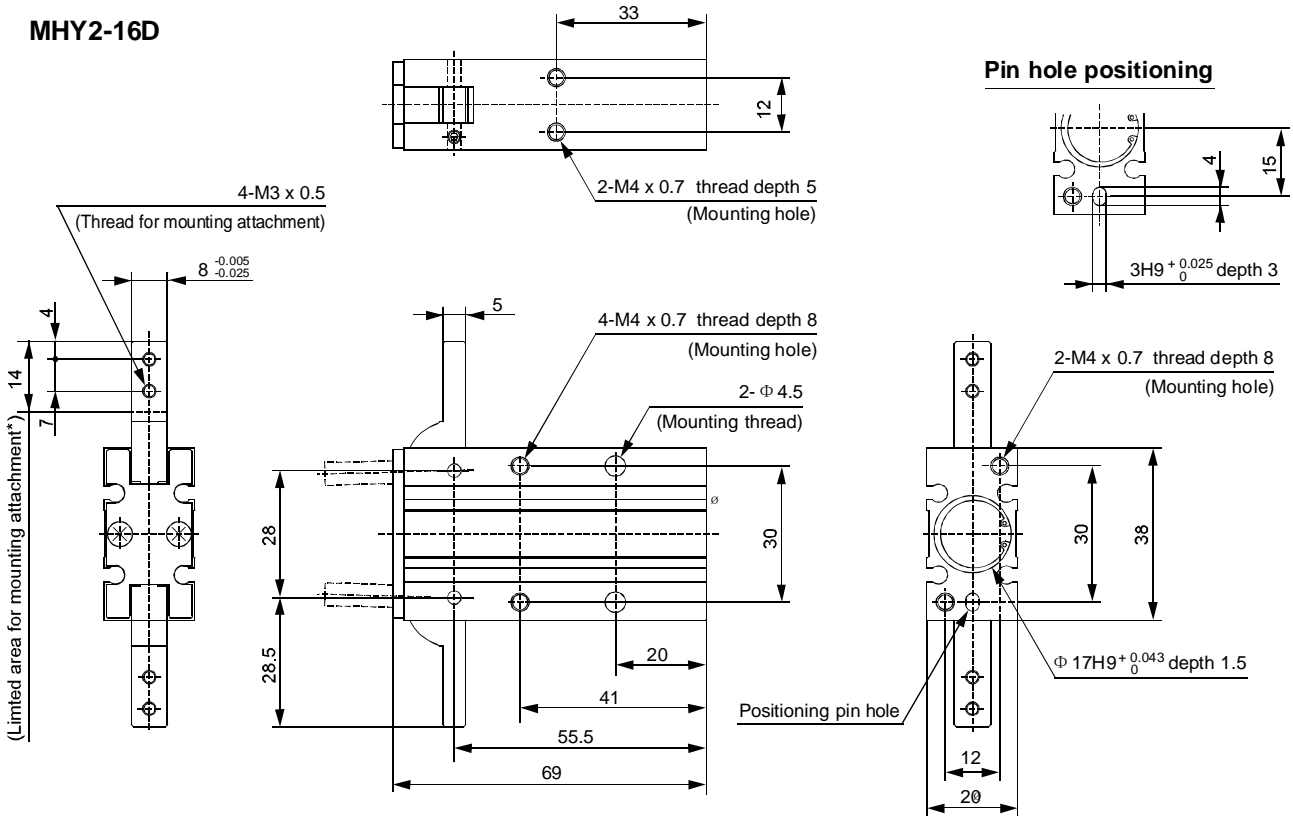


* Do not extend the attachment from limited area for mounting to avoid interference with the attachment or main body.

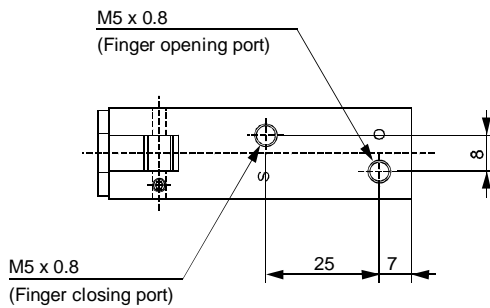
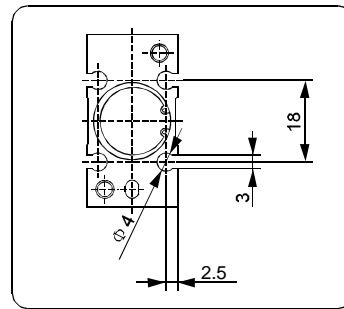
180° Angular Style Air Gripper Cam Style Series MHY2

GRIPPER
SYSTEMS S.R.O.

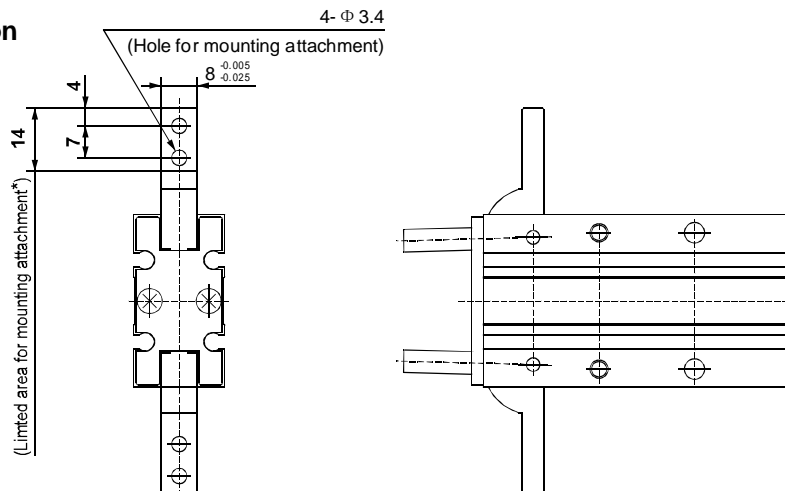
MHY2-16D



Auto Switch Mounting Groove Dimensions



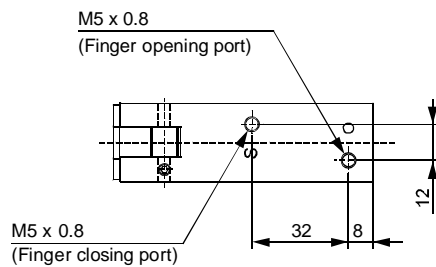
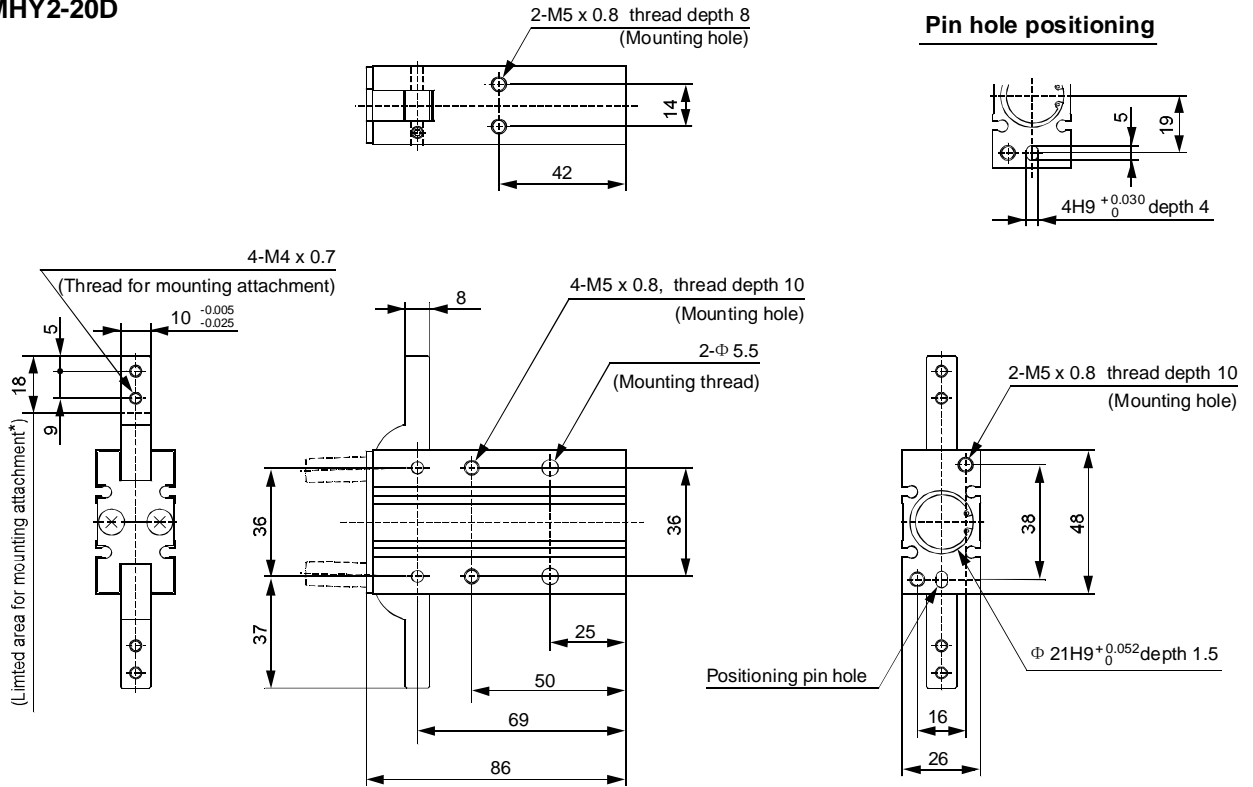
MHY2-16D2 Opening/Closing direction through-hole type



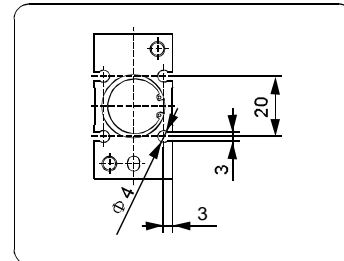
*Do not extend the attachment from limited area for mounting to avoid interference with the attachment or main body.

I
CJP
CJ1
CS1,CDS1
SI
MB,MBW
SU
SC
CJ2
CM2
MA
MAL
CQ2,CDQ2
CQS
SDA
CU
CUJ
MD
MK
CXS
CXSW
TN
CXWM
STM
CRA1
CRQ2
MSQ
MGP
MGG
MGC
CY1B
CY1R
CY1S
CY1L
MH22
MH2J2
MHL2
MHT2
MHY2
RSQ
CS Auto switch
D Auto switch
AC,AD
HR
RB
RBL
RBQ

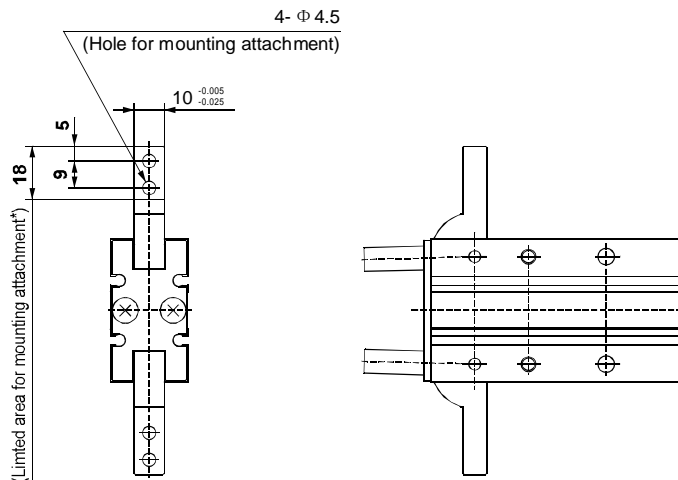
MHY2-20D



Auto Switch Mounting Groove Dimensions



MHY2-20D2
Opening/Closing direction through-hole type

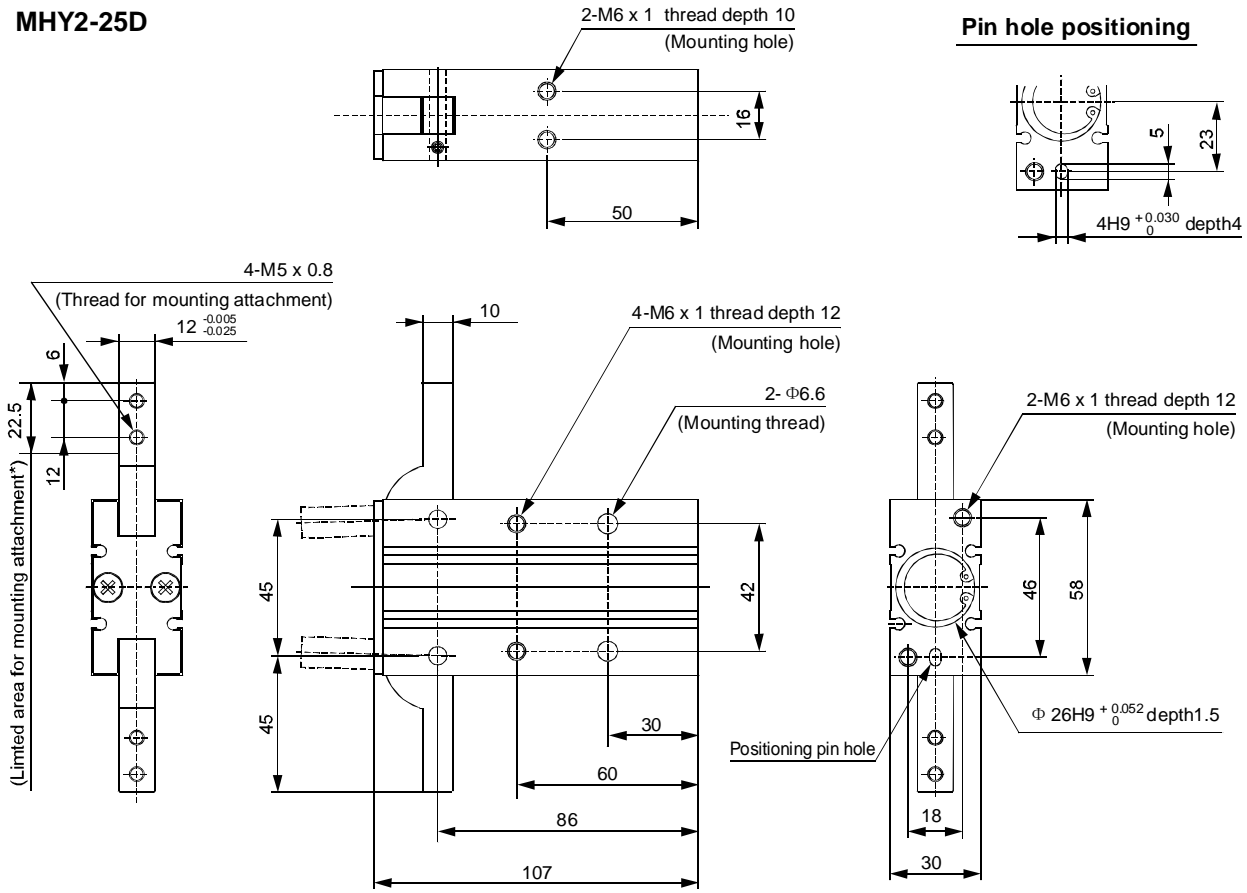


*Do not extend the attachment from limited area for mounting to avoid interference with the attachment or main body.

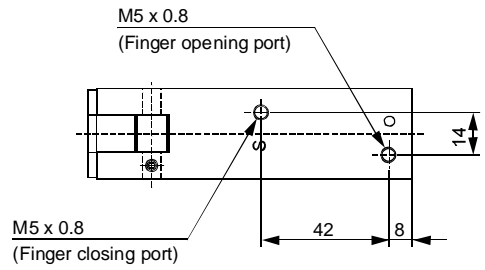
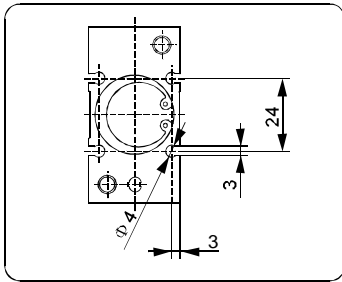
180° Angular Style Air Gripper Cam Style Series MHY2

GRIPPER
SYSTEMS S.R.O.

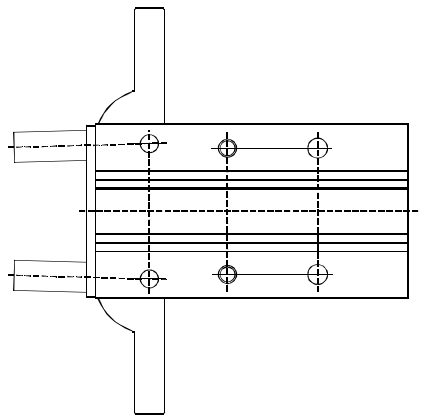
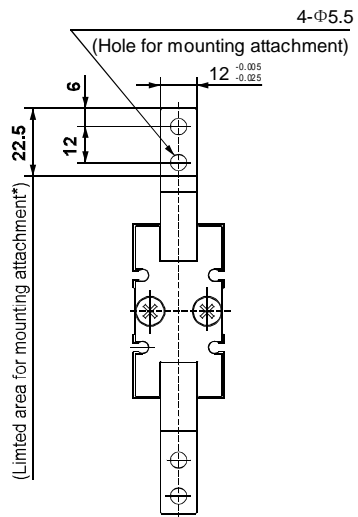
MHY2-25D



Auto Switch Mounting Groove Dimensions



MHY2-25D2 Opening/Closing direction through-hole type



*Do not extend the attachment from limited area for mounting to avoid interference with the attachment or main body.

I
CJP
CJ1
CS1,CDS1
SI
MB,MBW
SU
SC
CJ2
CM2
MA
MAL
CQ2,CDQ2
CQS
SDA
CU
CUJ
MD
MK
CXS
CXSW
TN
CXWM
STM
CRA1
CRQ2
MSQ
MGP
MGG
MGC
CY1B
CY1R
CY1S
CY1L
MHZ2
MHZJ2
MHL2
MHT2
MHY2
RSQ
CS Auto switch
D Auto switch
AC,AD
HR
RB
RBL
RBQ